

EN  
PL

 Aquaforest®  
**OCEANGUARD 790**

USER MANUAL | WARRANTY | INSTRUKCJA UŻYTKOWNIKA | GWARANCJA

# REEFING BRILLIANCE

[AFOCEANGUARD.COM](http://AFOCEANGUARD.COM)

Aquaforest®  
**OCEANGUARD 790**

## TABLE OF CONTENTS

---

Introduction & technical data	1
Components	2
Unboxing	3
Tank location	3
Cabinet assembly	4
Leveling the cabinet	5
Plumbing assembly	6-8
Installation of hinges and front	8-9
First filling of the tank	9-10
Drain valve adjustment	10
Sump AF790	11
Warranty terms and conditions	12-13

EN



VIDEO TUTORIAL

## INTRODUCTION

Hello Aquarist! Congratulations on your purchase of the AF OceanGuard. We did our best to provide you the highest quality and refined in the smallest details. When creating AF OceanGuard, we combined years of experience of engineers and aquarists with the latest technologies. We have used the best materials, such as waterproof, reinforced structural plywood with increased strength or acrylic boards with a laser finish applied to ensure maximum water resistance. All connections of aquarium sets are made of certified bolts and reinforcements. The guarantee of corrosion resistance are specialized chemical-resistant hinges used in the best laboratories.

All plumbing elements have been designed for the needs of marine aquariums, you will assemble it quickly and without gluing! We used solid bulkheads with large diameters, that guarantee full safety and excellent system performance. Precise gate valve allows easy setting the overflow water level. We will guide you step by step through the entire process of installing a tank at your home.

AF OceanGuard is not only about engineering excellence, but also a timeless design that fits perfectly any interior. Keeping your comfort in mind, our designers have created unique solutions that ensure maximum silence of the set. The whole is complemented by a great look that you can freely change without disassembling or moving the aquarium - the removable external panels of the cabinet are available in many variations and will allow you to adjust the arrangement to any interior.

In this manual you will learn how to properly assemble the cabinet, plumbing components and how to install the tank at home. Besides of this manual, we also created video tutorials, that you might find helpful. Just search 'Aquaforest' on YouTube or scan a QR code that's available in the back of this manual.

AF OceanGuard tanks were created for all those who dream of having their own piece of a coral reef. However, remember that for healthy growth, marine animals also need adequate lighting, efficient filtration and supplementation.

## TECHNICAL DATA

Nameplate can be found in the top of the right side of the cabinet.

# Aquaforest® OCEANGUARD 790

DIMENSIONS OF AQUARIUM				DIMENSIONS OF CABINET		
LENGTH	WIDTH	HEIGHT	GLASS	LENGTH	WIDTH	HEIGHT
150 CM	65 CM	60 CM	15 MM	150 CM	65 CM	94 CM
51,9 IN	25,6 IN	23,6 IN	5/8 IN	59,1 IN	25,6 IN	37 IN
DIMENSIONS OF SUMP			AQUARIUM VOLUME	SYSTEM VOLUME		
LENGTH	WIDTH	HEIGHT				
90 CM	50,5 CM	45 CM	585 L	790 L		
35,4 IN	19,9 IN	17,7 IN	155 US GAL	209 US GAL		
RECOMMENDED WATER FLOW		RECOMMENDED SKIMMER		RECOMMENDED MEDIA REACTOR		
5000-6000 L/H		AF200 /AF200 IN		AF110 MEDIA REACTOR		

## COMPONENTS

As experienced aquarists we have tested all the elements of the AF OceanGuard sets personally. This way we meet expectations of our most demanding customers. Before assembly, please make sure that the set contains all the necessary elements.



- During assembly all the elements of the set should be stacked on a soft and clean surface.
- Minimum six adults are required for assembly.

	symbol	quantity
<b>Downflow elements</b>	<b>D (Down-flow)</b>	
Silencer	D_1	1
Silencer float	D_2	3 + 1 spare
Drain strainer	D_3	1
Downflow pipe with bulkhead	D_4	1
Gate valve	D_5	1
Lower downflow pipe	D_6	1
Gasket	A_1	1
<b>Safety-drain elements</b>	<b>S (Safety-drain)</b>	
Emergency pipe with bulkhead	S_1	1
Lower emergency pipe	S_2	1
Gasket	A_1	1
<b>Return elements</b>	<b>R (Return)</b>	
Loc-line	R_1	2
Return pump pipe with bulkhead	R_2	2
Check valve	R_3	2
Gasket	A_1	2
Hose	R_4	2
Clamp	A_1	3
<b>Overflow elements</b>	<b>O (Overflow)</b>	
Cover	O_1	1
<b>Cabinet elements</b>	<b>C (Cabinet)</b>	
Body	C_1	1
Side panel	C_2a, C_2b	2
Front	C_3	3
Screw and wingnut	C_4	6
Hinge and screws 3,5x16	C_5	6
Hinge and screws 4x20	C_6	6
Leveling key	C-7	1
Shelf bracket	C-8	4
Shelf	C-9	1

EN

Aquaforest®  
**OCEANGUARD 790**



**FRAGILE**



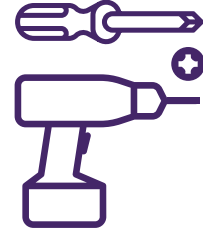
**HEAVY**



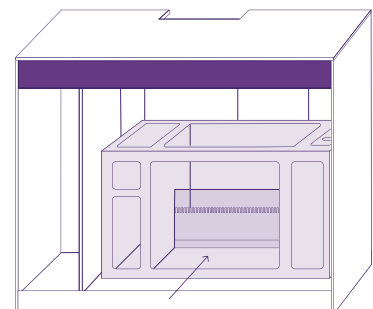
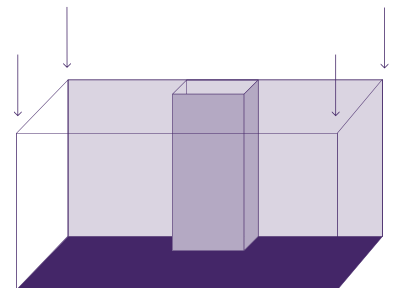
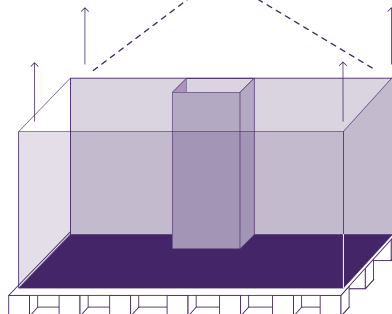
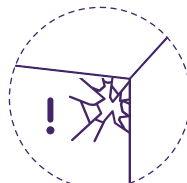
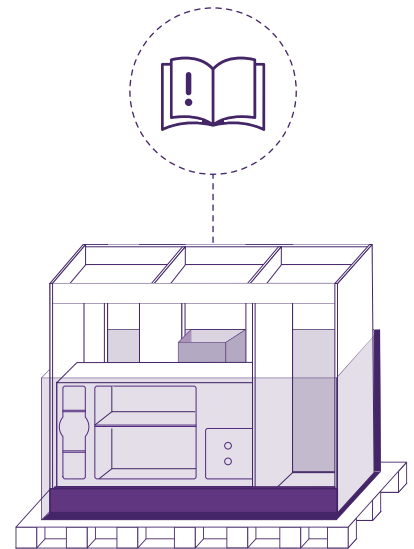
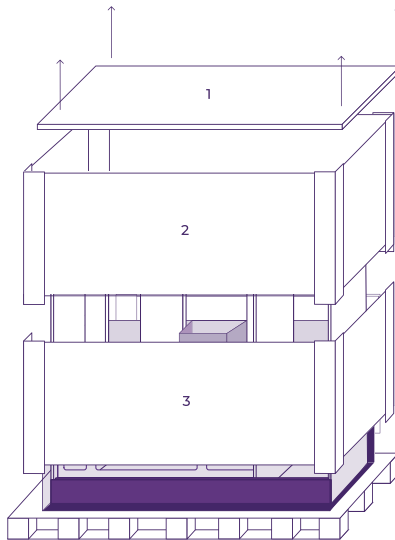
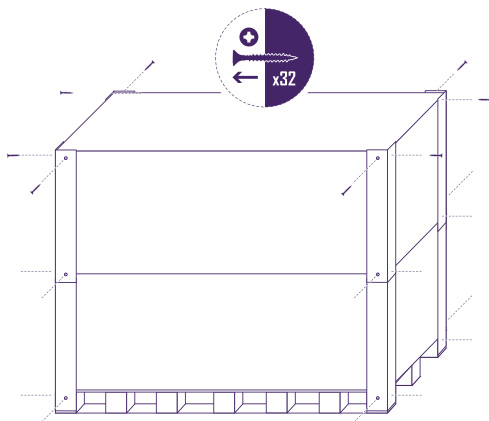
**x6**



**max  
45 min**



**UNBOXING**



## TANK LOCATION

Before starting the installation of the aquarium, it is necessary to choose a suitable place for it.

- The tank should be placed close to the electric socket that enables plugging in the equipment required to run a seawater aquarium. The socket should be at least 20 cm away from the side of the aquarium and cabinet. The socket should have at least IP66 standard, be appropriately protected from the humidity and installed by an authorized electrician. Outlet parameters should be adjusted to the aquarium equipment requirements.
- The floor directly under the tank should be stable, even and designed for high loads. The floor should be concrete, in the case of placing the tank on the first floor, the ceiling capacity. For all AF OceanGuard sets, the required load capacity is 7.5 kN/m<sup>2</sup>. The floor must be level, the permissible deviation is a maximum of 3 mm per 1 meter of the floor. We do not recommend installation on carpeted, paneled or unattached parquet floors. Only a stable base guarantees long-term use of the AF OceanGuard set.
- Salt from marine tanks, significantly accelerates corrosion, so make sure, that there is no equipment around the aquarium, that could get rusty.
- The distance between the tank and the wall should be at least 5 cm. Make sure that the free space on the sides of the tank allows easy maintenance of the equipment and cleaning the aquarium glass.
- The aquarium should not be placed close to the window, especially on the south side, as a large amount of natural sunlight can cause the formation of algae. Too close proximity to the window may also cause excessive heating of the water.
- Installation directly next to the window, door or passageways is not recommended. This will ensure the safety and peace of animals living in the aquarium.
- Due to the evaporation of water in the aquarium room, adequate ventilation should be provided.

EN

## CABINET ASSEMBLY

In order to provide you full comfort and safety, we have delivered the OceanGuard AF set to you with the already assembled construction part. What does this mean for you? Saved time and guarantee of the full safety. Thanks to this, you do not need specialized tools, and you can be sure of correct assembly. The load-bearing part is made entirely of yacht plywood, therefore it is resistant even to the most difficult weather conditions.

1. The cabinets are delivered in the form of two separate sets: the load-bearing part - screwed and glued, and waterproof external panels with doors.
2. After setting the cabinet in the right place, set its stability using the adjustable legs. The cabinet should be leveled with a spirit level. Then attach the side panels.
3. Due to using the highest quality self-hardening materials, we advise not washing the for 72 hours after removing the protective foil.
4. The cabinet should be kept clean, any water or spills should be removed immediately and dried.

Aquaforest®  
**OCEANGUARD 790**



**FRAGILE**



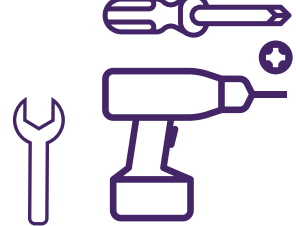
**HEAVY**



**x6**

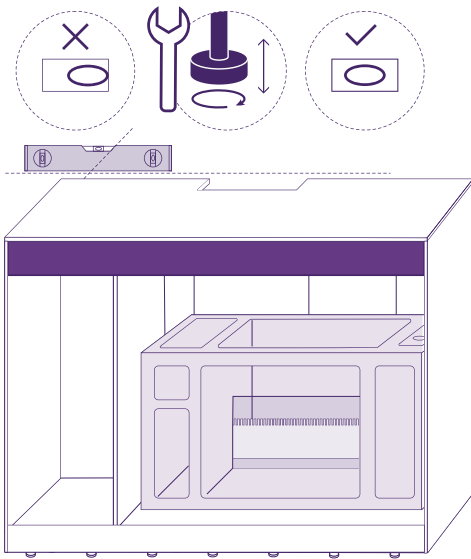


**max  
1,5 h**

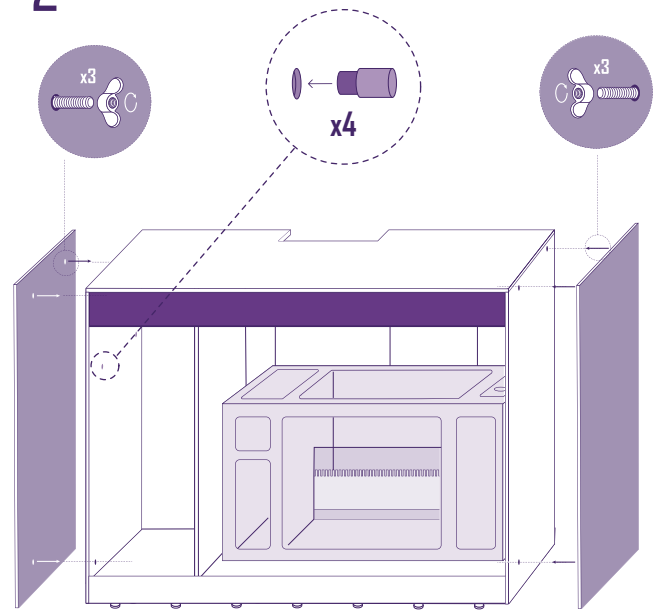


**1**

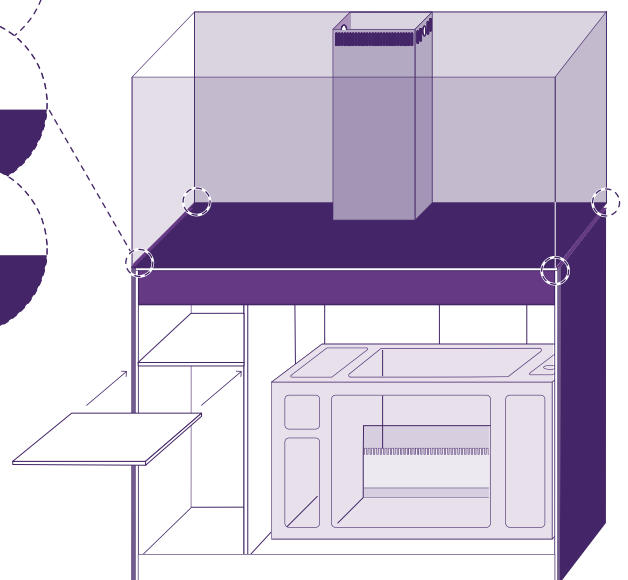
**LEVELING THE CABINET**



**2**



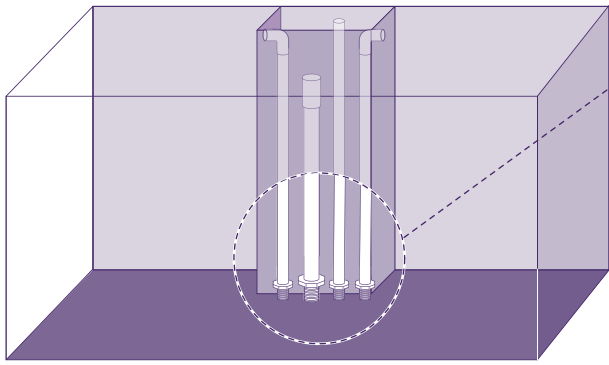
**3**



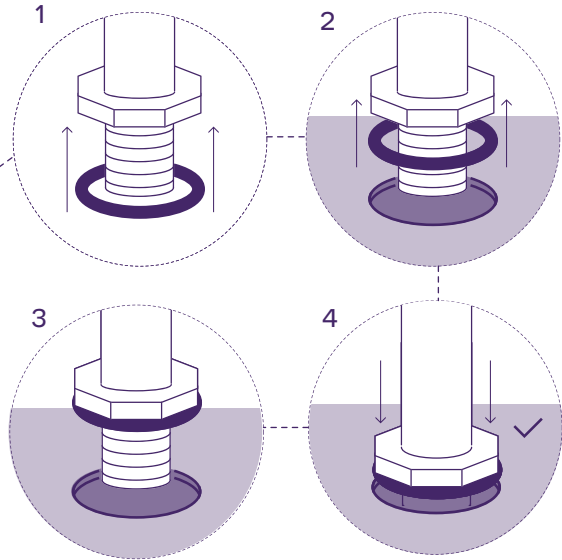


4

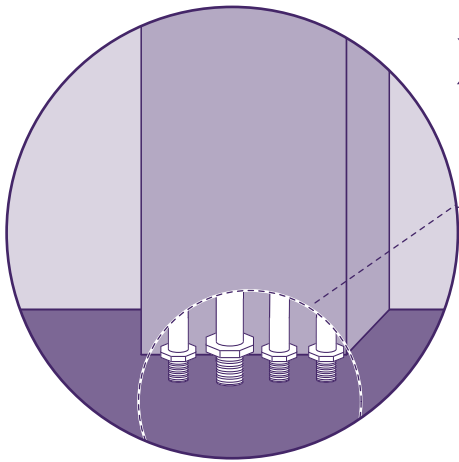
OVERFLOW PLUMBING ASSEMBLY



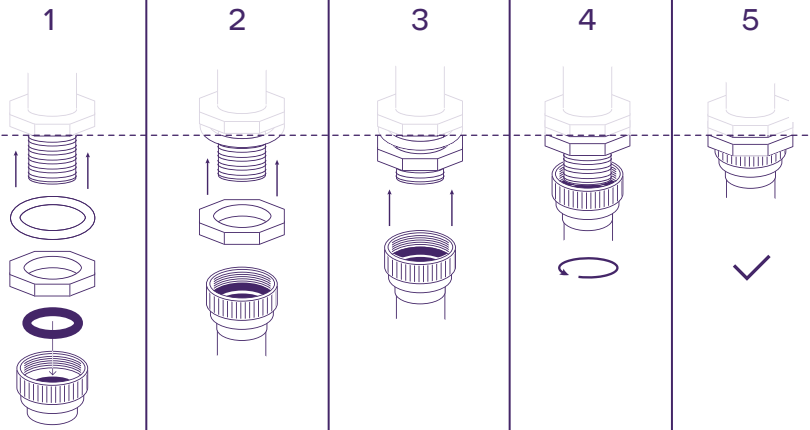
x4



5



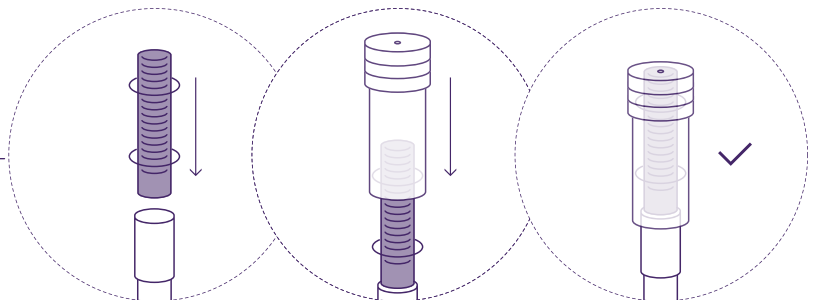
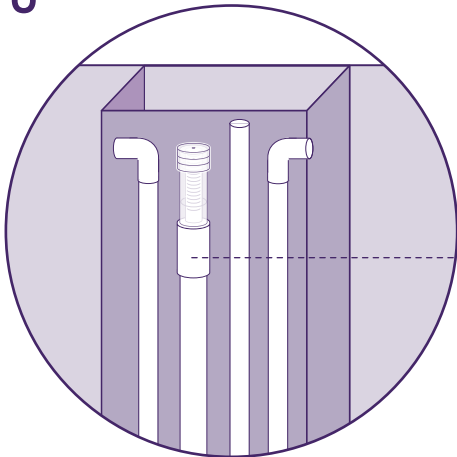
x4



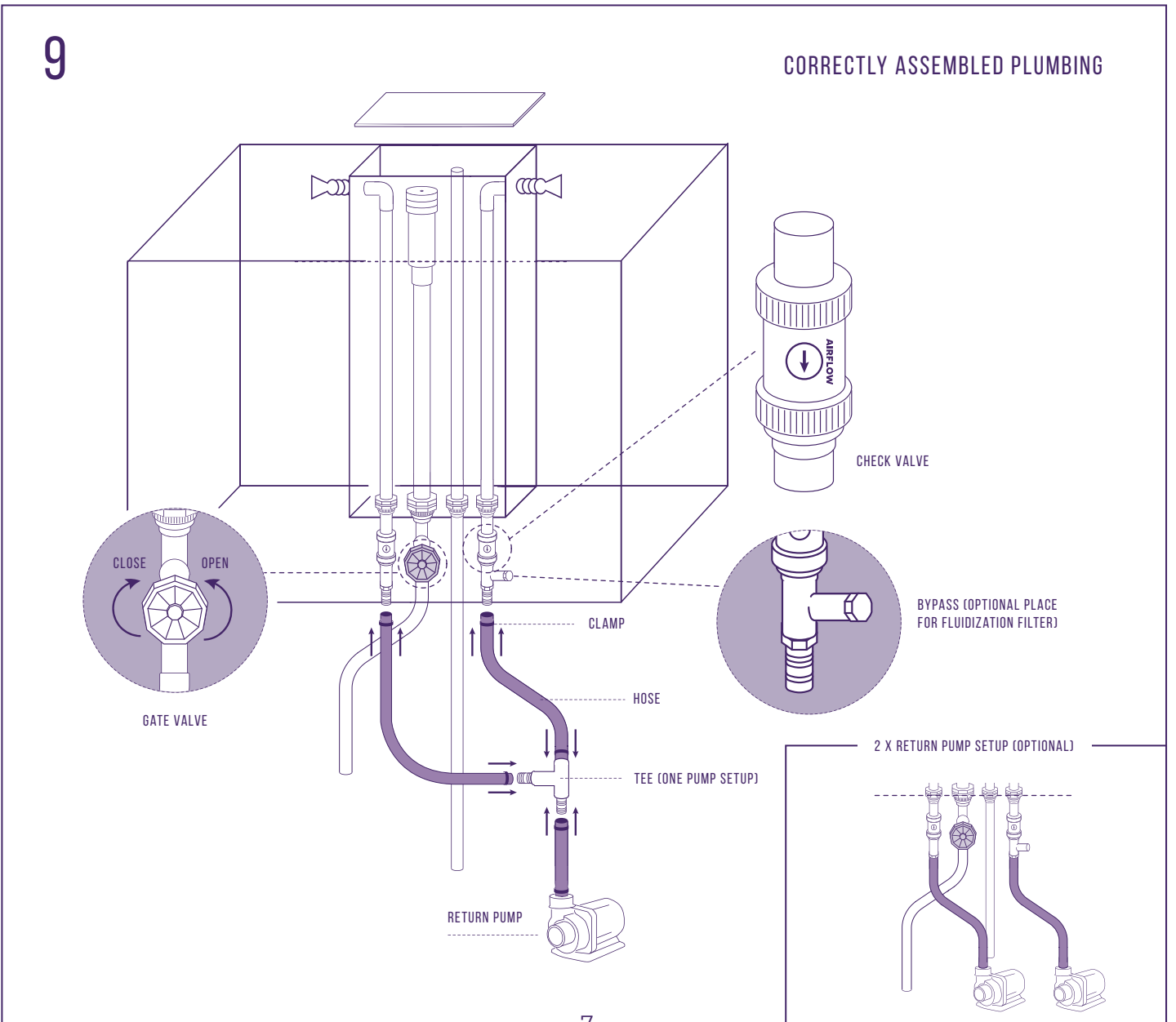
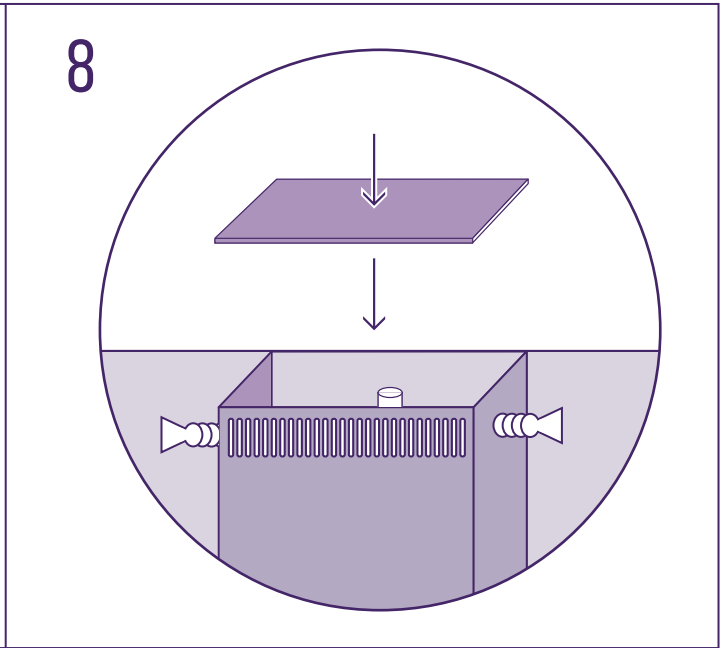
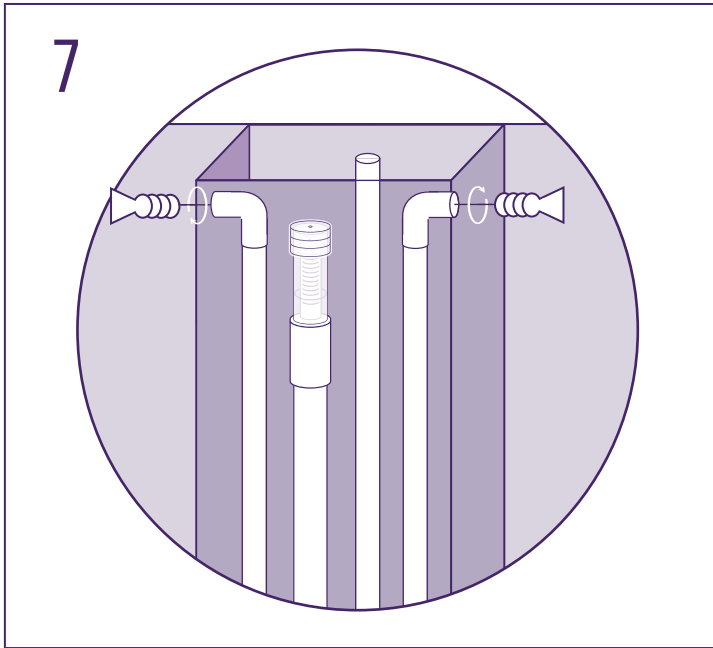
EN

6

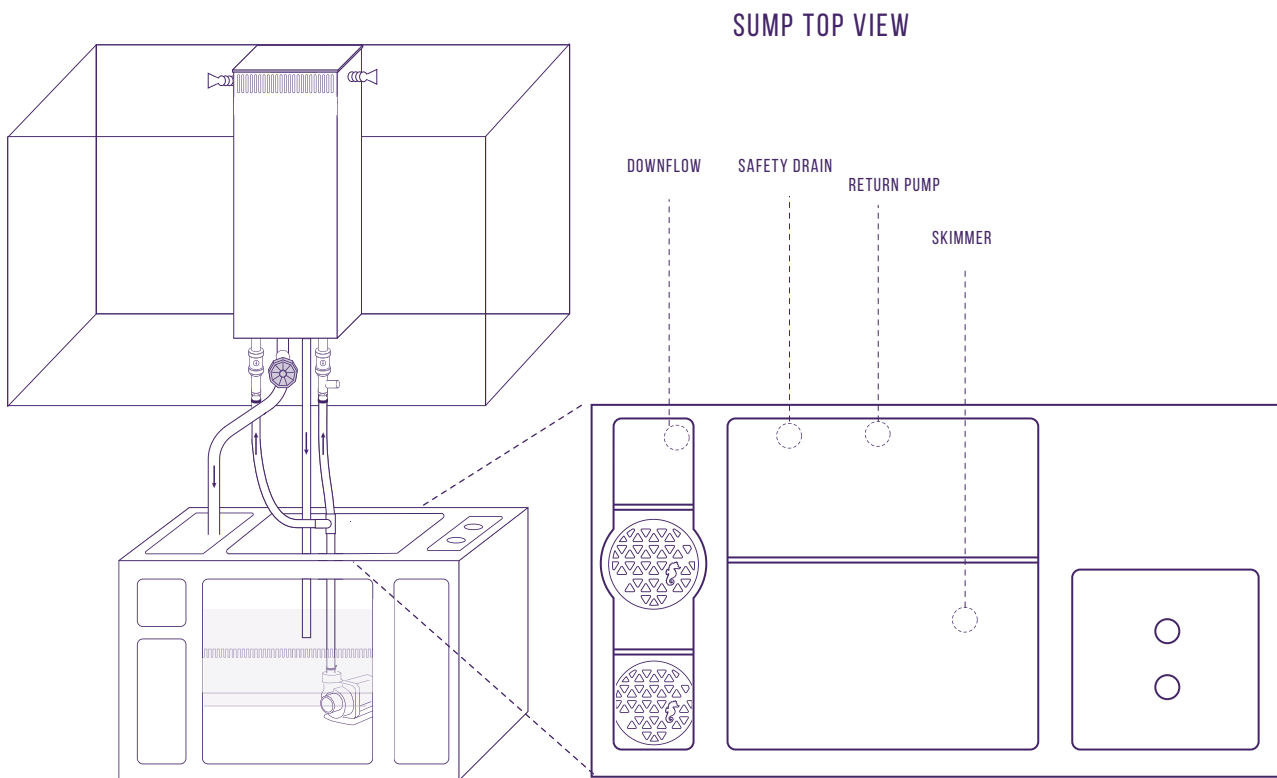
SILENCER ASSEMBLY



Aquaforest®  
**OCEANGUARD 790**

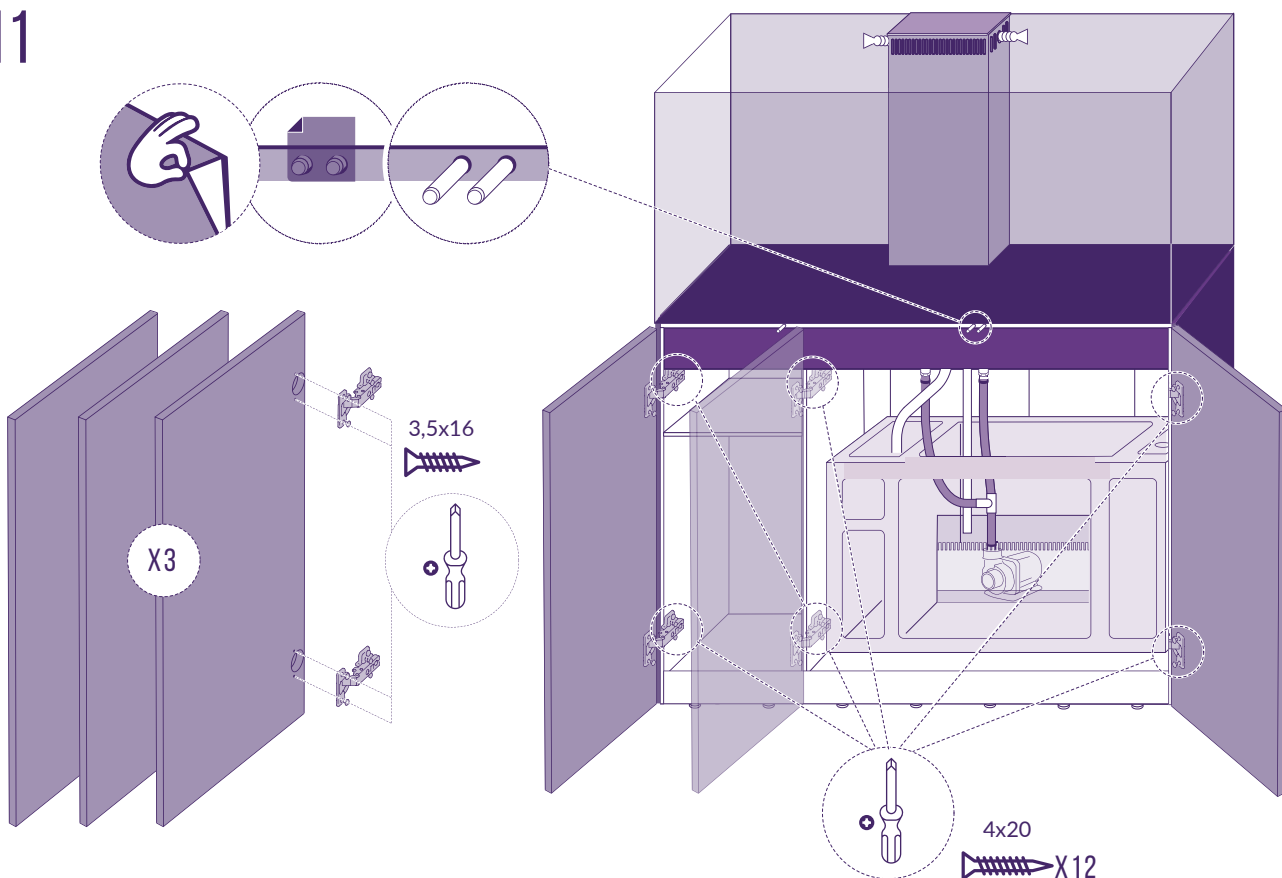


10



EN

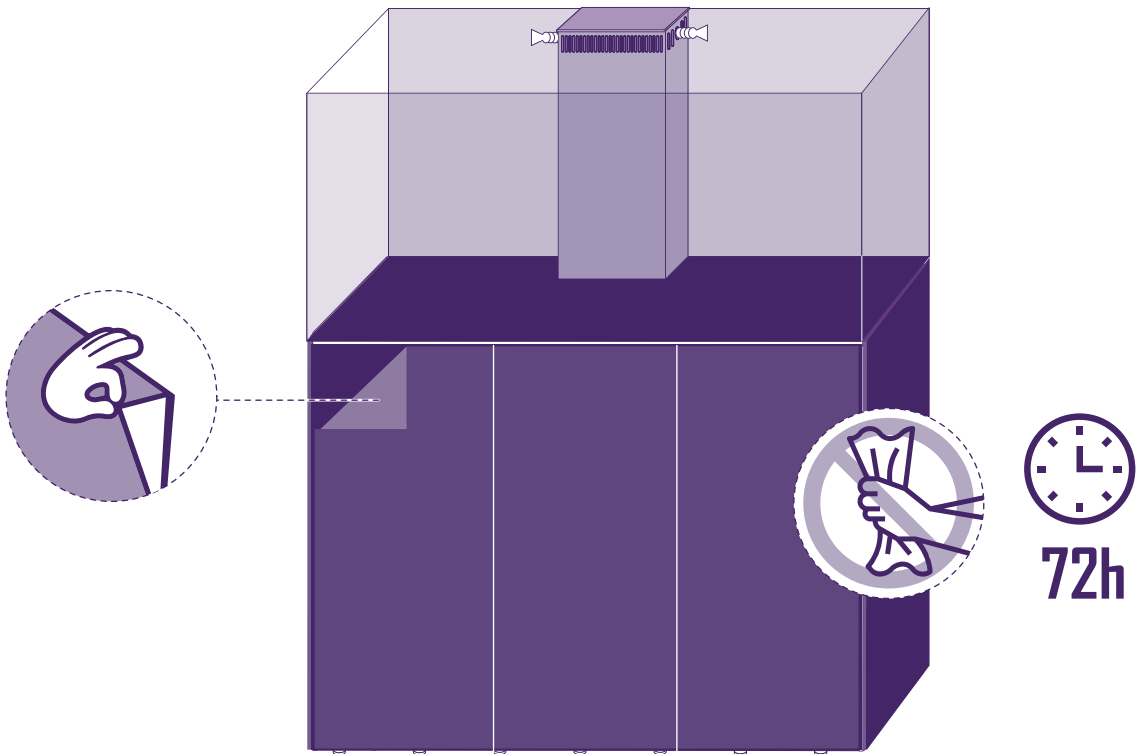
11



Aquaforest®  
**OCEANGUARD 790**

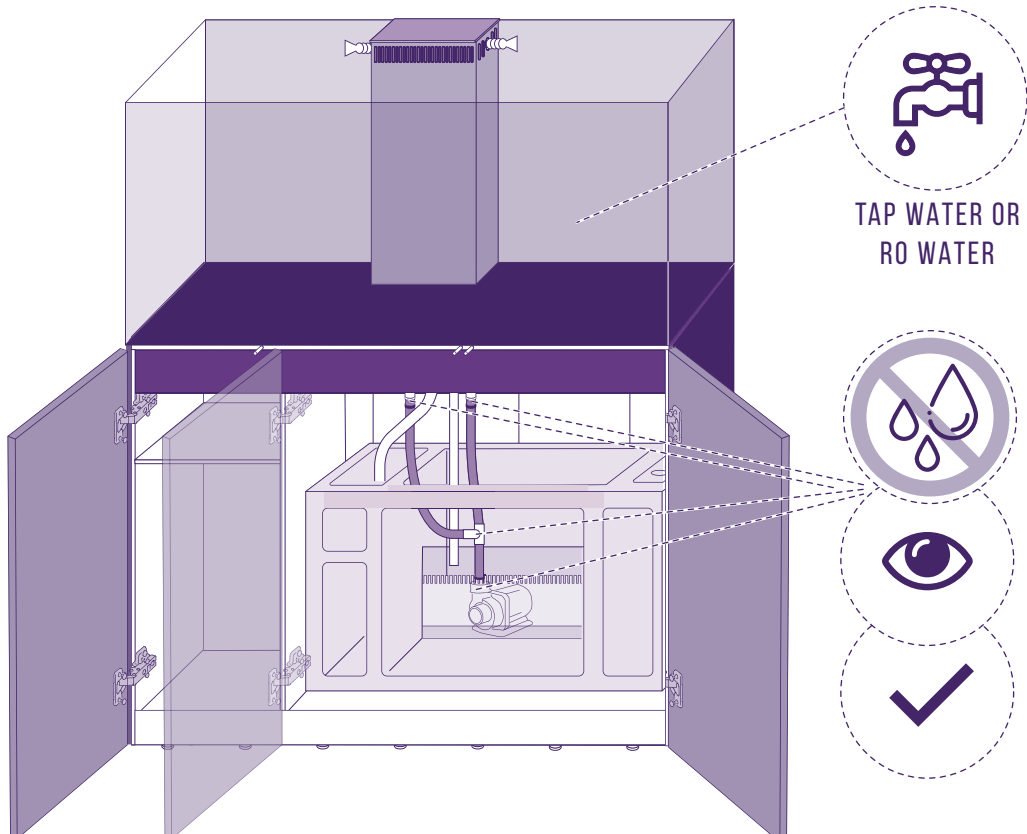
12

REMOVE THE PROTECTIVE FOIL



13

PLUMBING TEST



## FIRST FILLING OF THE TANK

After completing the assembly of the kit, make sure that all components are installed according to the instructions. Make sure all of them are correct before filling the tank with seawater screw connections and valves are tightened securely. To do this, you can fill the tank with tap water (or RO) by following the instructions below. Filling the tank with fresh water before the final one is optional, but it will allow you to rinse out all the plumbing and aquarium components.

To facilitate the later adjustment of the water level, before filling the overflow with the water, it is necessary to maximally open the drain valve. If everything is installed correctly, you can proceed filling the tank with water by gradually pouring it into the aquarium overflow. At the same time control the condition of the plumbing, making sure that all system components are free from leaks and not connections water is leaking. Possible leaks should be eliminated by properly tightening the pipe coupling. After filling the sump, start the circulation pump and continue filling the aquarium with water.

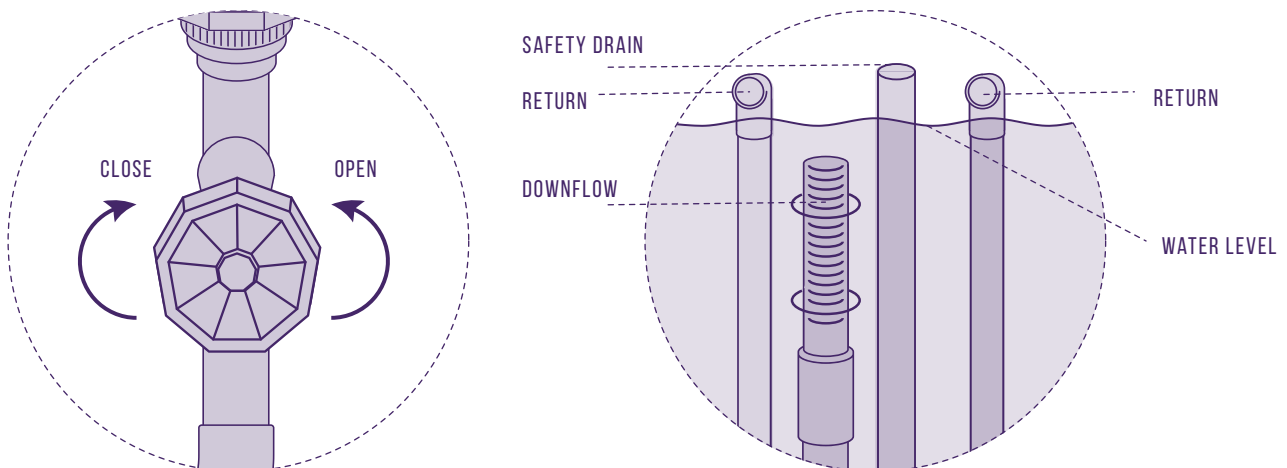
If there are no signs of leakage, you can empty the freshwater tank and proceed to target filling the aquarium with seawater. To do this, you should pour seawater into the aquarium until it begins to fill the overflow and sump. The sump should be filled to level of 18-20 cm. After filling the sump start the circulation pump and if necessary - correct any water shortages.

## DRAIN VALVE ADJUSTMENT

After filling the sump, start the circulation pump and continue filling the aquarium with water. When the water in the tank reaches the desired level, you can proceed to adjust the gate valve controlling the runoff of water from the aquarium. When adjusting the valve, all components in the overflow should be installed, and the silencer should be placed over the drain pipe. Turn the valve to the moment when the water flows freely, without unnecessary noise and air bubbles. The gate valve is properly regulated, if the waterflow is quiet and water does not overflow through the emergency pipe.

Too high water level will cause water flowing through the emergency pipe and water foaming in the return pump chamber; too low water level in the overflow will result in noisy air suction. The water level should be halfway between the height difference between the downflow pipe and the emergency pipe.

EN



## MAINTENANCE

Due to using the highest quality, waterproof materials AF OceanGuard sets are really easy to maintain. Due to the development of marine organisms, we advise to clean the drain and check valve once in a three months. It'll prevent uncontrolled changes of water level in the overflow. We don't recommend using alcohol or strong chemicals for cleaning the set. The glass should be cleaned with magnet cleaners dedicated for aquarium purposes.



### WARNING!

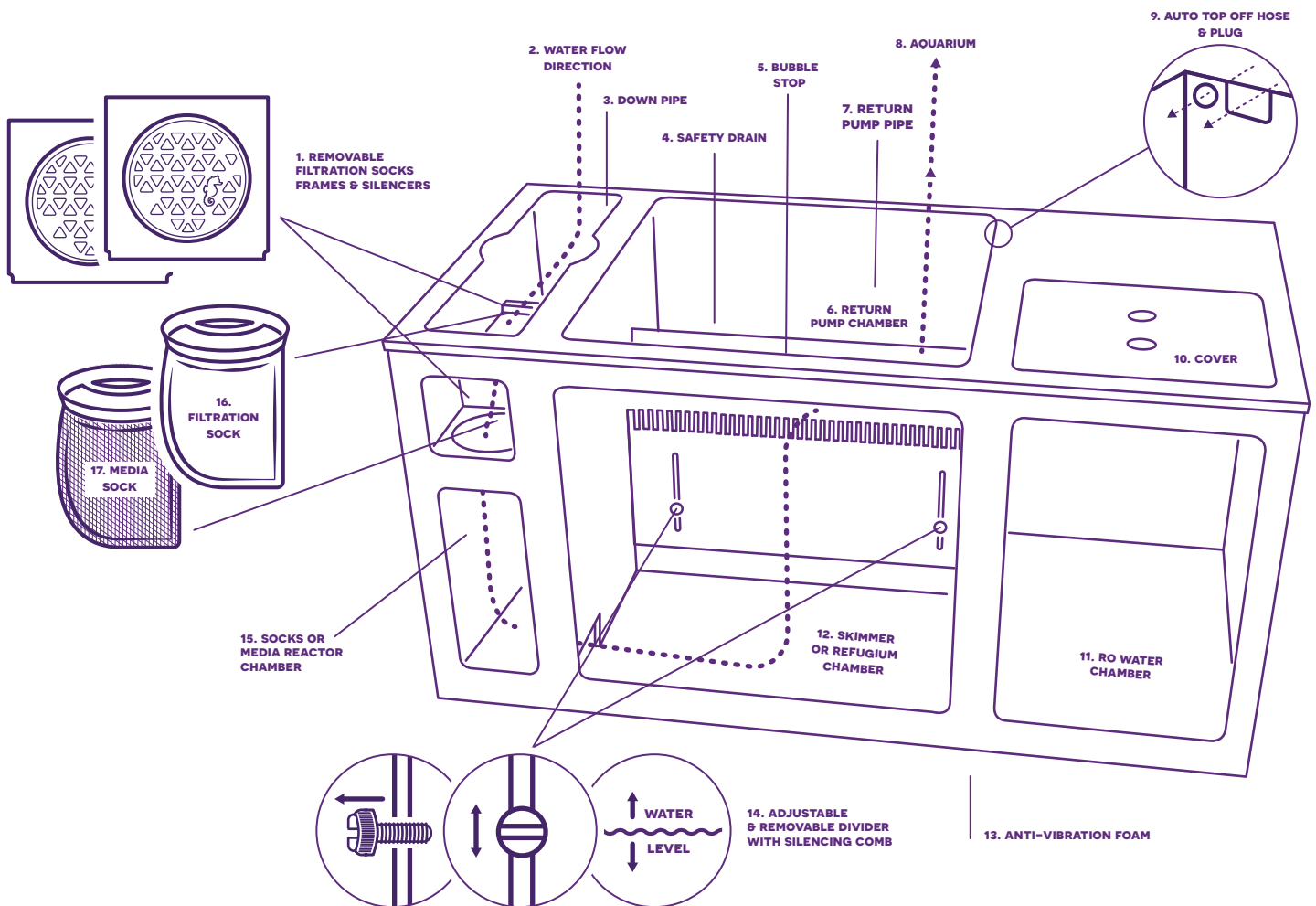
**Do not use window cleaner or other chemicals, that could harm fragile marine organisms.**

## SUMP

Highly durable PVC sump dedicated even for the most demanding aquariums. These designed by experienced aquarists sump ensures the most efficient filtration to make corals thrive and grow healthily. Cascading chambers combined with quality combs provide perfect conditions for dynamic, but still ultra silent water-flow.

Filtration socks chamber allows placing two socks (included in set) with noise suppressing caps or replacing them with media reactors. Aquaforest sump is an outcome of experience and best designers & engineers close cooperation with top aquarists. This smartly designed system of dividers and baffles was thoroughly tested for years in order to ensure that it delivers the highest filtration potential.

Having in mind that efficient filtration system is the key to a reefing success, each detail was carefully considered and thoughtfully designed. We strive to deliver the highest quality on every stage of reefing, so we made sure, that our complex of combs and chambers provides optimal noise cancellation by fading out unwanted sounds. Precise welding of elements guarantees the highest tightness. The most reliable combination of aquarist experience, advanced technology and the finest workmanship available in the market!



<p><b>NIE CZYŚCIĆ ALKOHOLEM</b></p> <p><b>DO NOT CLEAN WITH ALCOHOL</b></p> <p><b>NICHT MIT ALKOHOL REINIGEN</b></p>	<p><b>PRZED UŻYCIEM WYPŁUKAĆ W CZYSTEJ WODZIE</b></p> <p><b>BEFORE USE RINSE IN A CLEAN WATER</b></p> <p><b>VOR GEBRAUCH MIT SAUBEREM WASSER SPÜLLEN</b></p>
--	--

## WARRANTY

AF OceanGuard are covered with a 36-month warranty coming into effect on date of invoice. An additional 12-month warranty is available to customers who register their AF OceanGuard kit within 30 days from the date of purchase via the form: [www.foceanguard.com](http://www.foceanguard.com). Aquaforest warranty covers only defects resulting from causes inherent in the sold product. Under the warranty agreement, Aquaforest will repair or replace defective parts. The condition for repair or replacement is to attach proof of purchase. Warranty repairs should only take place via the Aquaforest sales network, directly in the showroom where the product was purchased.

## WARRANTY TERMS AND CONDITIONS:

1. Aquaforest provides the buyer with the high quality and properly functioning aquarium set, provided that it is properly installed and used as intended.
2. In case of a defect, Aquaforest undertakes to remove the defect or replace the product according to the rules listed below. The warranty covers all AF OceanGuard sets sold by an authorized Aquaforest seller. The warranty excludes products purchased on the aftermarket.
3. Aquaforest guarantees the proper quality of its products while maintaining all the rules of their use as intended within 2 years from the date of purchase with a confirmed receipt or invoice.
4. Defects or damage caused during transport should be reported on the day of delivery, preferably by courier or seller.
5. The warranty does not cover mechanical damage resulting from improper transport or inadequate packed.
6. The basis for considering the complaint by Aquaforest is a properly filled warranty card with attached proof of purchase.
7. Complaints about defects covered by the warranty shall be made by the Buyer in writing or by e-mail to the Seller or the Manufacturer within no more than 7 days from the date the defect is revealed.
8. Handling the complaint will take place within 14 working days from the date of submitting the complaint to the Aquaforest in writing or by e-mail.
9. A delay in handling complaint does not occur when a representative of the Aquaforest came to the Buyer on the agreed date and could not make complaint actions for reasons attributable to the Buyer.
10. The Buyer will be notified about the repairing or considering the complaint unjustified by the Aquaforest immediately by creating a complaint protocol that will be forwarded to the Buyer. In all the other cases, in writing or by e-mail within 14 working days from the date of submitting the complaint to the Aquaforest.
11. The method of handling the complaint, when the defect found during the examination is:
  - Removable in non-factory conditions - the defect will be repaired at the Customer's.
  - Removable only in factory conditions - the defect will be removed at the Manufacturer's.  
The manufacturer may also replace the defective item with a new one by arrangement with the Customer.
  - Indelible - the complaint will be handled by replacing to the new, free from defects product.
12. The Customer will be informed by the Aquaforest about the chosen way to handle the complaint within 14 days from the date of accepting the complaint.
13. If the Buyer has prevented repair of removable defects, it is considered that he resigns from the rights arising from the warranty card.

EN

## THE WARRANTY DOES NOT COVER:

- dirt, the effect of improper cleaning attempts, as well as damage caused by pets and damage caused by improper use
- design changes, alterations or use of unoriginal parts by the customer
- damage resulting from improper or not adequate packing in transport, handling, assembly and use
- products purchased at a reduced price as ex-display or damaged products
- shortages in set elements reported later than two days from the date of the product delivery
- scratches occurred during use
- glass damages due to impact from both the inside and outside the aquarium
- unsealing the set after more than 30 days without water after the first filling up

The warranty does not cover defects resulting from other reasons, especially those resulting from:

- external factors: mechanical damage
- installing and using the product not as intended
- incorrect installation and maintenance
- damage resulting from the use of non-original accessories or those not in accordance with the instructions

The warranty does not cover normal wear and tear.

## WARRANTY LOSS CAUSES:

- any modifications, including cutting, drilling and plumbing modifications
- using other cabinet than the one included in the set
- misuse of the object
- improper maintenance

**SERIAL NUMBER, STAMP, DATE AND SIGNATURE OF THE SELLER**



Aquaforest®  
**OCEANGUARD 605**

**SPIS TREŚCI:**

---

Wstęp i dane techniczne	15
Elementy zestawu	16
Rozpakowanie zestawu	17
Lokalizacja zbiornika	18
Montaż szafki i użytkowanie	18
Pozymowanie szafki i montaż paneli bocznych	19
Montaż hydrauliki	20-21
Montaż zawiasów i drzwiczek	22-23
Pierwsze napełnienie zbiornika	23-24
Regulacja zaworu spływu i konserwacja	24
Opis i elementy Sump AF790	25
Szczegóły gwarancji	26-27

**PL**



VIDEO TUTORIAL

## WSTĘP

Akwarysto! Gratulujemy zakupu zbiornika AF OceanGuard. Dołożyliśmy wszelkich starań, żeby dostarczyć Ci produkt najwyższej jakości i dopracowany w najmniejszych detalach. Tworząc AF OceanGuard połączyliśmy lata doświadczeń inżynierów i akwarystów z najnowocześniejszymi technologiami. Zastosowaliśmy najlepsze materiały, takie jak wodoodporna wzmocniana sklejka konstrukcyjna o podwyższonej wytrzymałości czy akrylowe płyty o laserowym wykończeniu zastosowanym dla zapewnienia maksymalnej wodoodporności. Wszelkie łączenia zestawów akwarystycznych wykonaliśmy z atestowanych śrub i wzmocnień. Gwarancją odporności na korozję są specjalistyczne chemoodporne zawiasy stosowane w najlepszych laboratoriach.

Wszystkie elementy hydrauliki zostały zaprojektowane na potrzeby akwarystyki morskiej, zmontujesz ją ekspresowo i przede wszystkim – bez klejenia! Zastosowaliśmy solidne przeloty o dużych średnicach, gwarantują one pełnię bezpieczeństwa i doskonałą wydajność systemu. Precyzyjny zawór bramowy pozwoli na łatwe ustawienie poziomu wody w kominie. Przeprowadzimy Cię krok po kroku przez cały proces instalacji zbiornika w Twoim domu.

AF OceanGuard to nie tylko inżynierska doskonałość, ale także ponadczasowy design wpasowujący się idealnie w każde wnętrze. Dbając o Twój komfort, nasi projektanci stworzyli unikalne rozwiązania zapewniające maksymalne wyciszenie zestawu. Całości dopełnia świetny wygląd, który możesz dowolnie zmieniać bez rozkładania i przenoszenia akwarium – wymienne panele zewnętrzne szafki są dostępne w wielu wariacjach i pozwolą na dopasowanie aranżacji do każdego wnętrza.

Z tej instrukcji dowiesz się jak prawidłowo przygotować szafkę, elementy hydrauliki oraz jak zainstalować zbiornik w swoim domu. Pamiętaj, że oprócz tradycyjnej instrukcji, stworzyliśmy również filmy, które mogą okazać się pomocne w trakcie montażu akwarium. Wystarczy, że na YouTube wyszukasz kanał Aquaforest lub zeskanujesz kod QR dostępny na tylnej okładce instrukcji, a wideo tutoriale będą do Twojej dyspozycji.

Zbiorniki AF OceanGuard zostały stworzone z myślą o wszystkich, którzy marzą o posiadaniu własnego kawałka rafy koralowej. Pamiętaj jednak, że do zdrowego wzrostu zwierzęta morskie potrzebują również odpowiedniego oświetlenia, wydajnej filtracji i suplementacji.

## DANE TECHNICZNE

Tabliczka znamionowa znajduje się w prawej górnej części szafki.

Aquaforest®  
**OCEANGUARD 790**

ROZMIAR AKWARIUM				ROZMIAR SZAFKI		
DŁUGOŚĆ	SZEROKOŚĆ	WYSOKOŚĆ	SZKŁO	DŁUGOŚĆ	SZEROKOŚĆ	WYSOKOŚĆ
150 CM	65 CM	60 CM	15 MM	150 CM	65 CM	94 CM
51,9 IN	25,6 IN	23,6 IN	5/8 IN	59,1 IN	25,6 IN	37 IN
ROZMIAR SUMPY			POJEMNOŚĆ AKWARIUM	POJEMNOŚĆ CAŁKOWITA		
DŁUGOŚĆ	SZEROKOŚĆ	WYSOKOŚĆ				
90 CM	50,5 CM	45 CM	585 L	790 L		
35,4 IN	19,9 IN	17,7 IN	155 US GAL	209 US GAL		
ZALECANY PRZEPŁYW		ZALECANY ODPIENIACZ		ZALECANY FILTR		
5000-6000 L/H		AF200 /AF200 IN		AF110 MEDIA REACTOR		

## ELEMENTY ZESTAWU

Jako doświadczeni akwaryści wszystkie części zestawów AF OceanGuard przetestowaliśmy osobiście, tak, by spełniały oczekiwania nawet naszych najbardziej wymagających klientów. Pamiętaj, żeby przed przystąpieniem do montażu upewnić się, że zestaw zawiera wszystkie niezbędne elementy.



• Podczas montażu wszystkie elementy zestawu należy układać na miękkim i czystym podłożu.

• Do montażu potrzeba minimum sześć osób dorosłych.

	symbol	ilość
<b>Elementy spływu</b>	<b>D (Down-flow)</b>	
Tłumik	D_1	1
Pływak tłumika	D_2	3 + 1 zapasowy
Sitko spływu	D_3	1
Rura spływu z przelotem i uszczelkami	D_4	1
Zawór bramowy	D_5	1
Rura spływu dół	D_6	1
Uszczelka śrubunku	A_1	1
<b>Elementy rewizji</b>	<b>S (Safety-drain)</b>	
Rura rewizji z przelotem i uszczelkami	S_1	1
Dolna rura rewizji	S_2	1
Uszczelka śrubunku	A_1	1
<b>Elementy powrotu</b>	<b>R (Return)</b>	
Loc-line	R_1	2
Rura powrotu z przelotem i uszczelkami	R_2	2
Zawór zwrotny kierunkowy ze śrubunkiem	R_3	2
Uszczelka śrubunku	A_1	2
Wąż silikonowy	R_4	2
Zacisk	A_1	3
<b>Elementy komina</b>	<b>O (Overflow)</b>	
Pokrywa	O_1	1
<b>Elementy szafki</b>	<b>C (Cabinet)</b>	
Korpus	C_1	1
Panel boczny	C_2a, C_2b	2
Front	C_3	3
Śruba i motylek panelu bocznego	C_4	6
Zawias i śruby 3,5x16	C_5	6
Zawias i śruby 4x20	C_6	6
Klucz do poziomowania szafki	C-7	1
Wspornik półki	C-8	4
Półka	C-9	1

Aquaforest®  
**OCEANGUARD 790**



**FRAGILE**



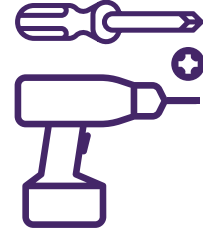
**HEAVY**



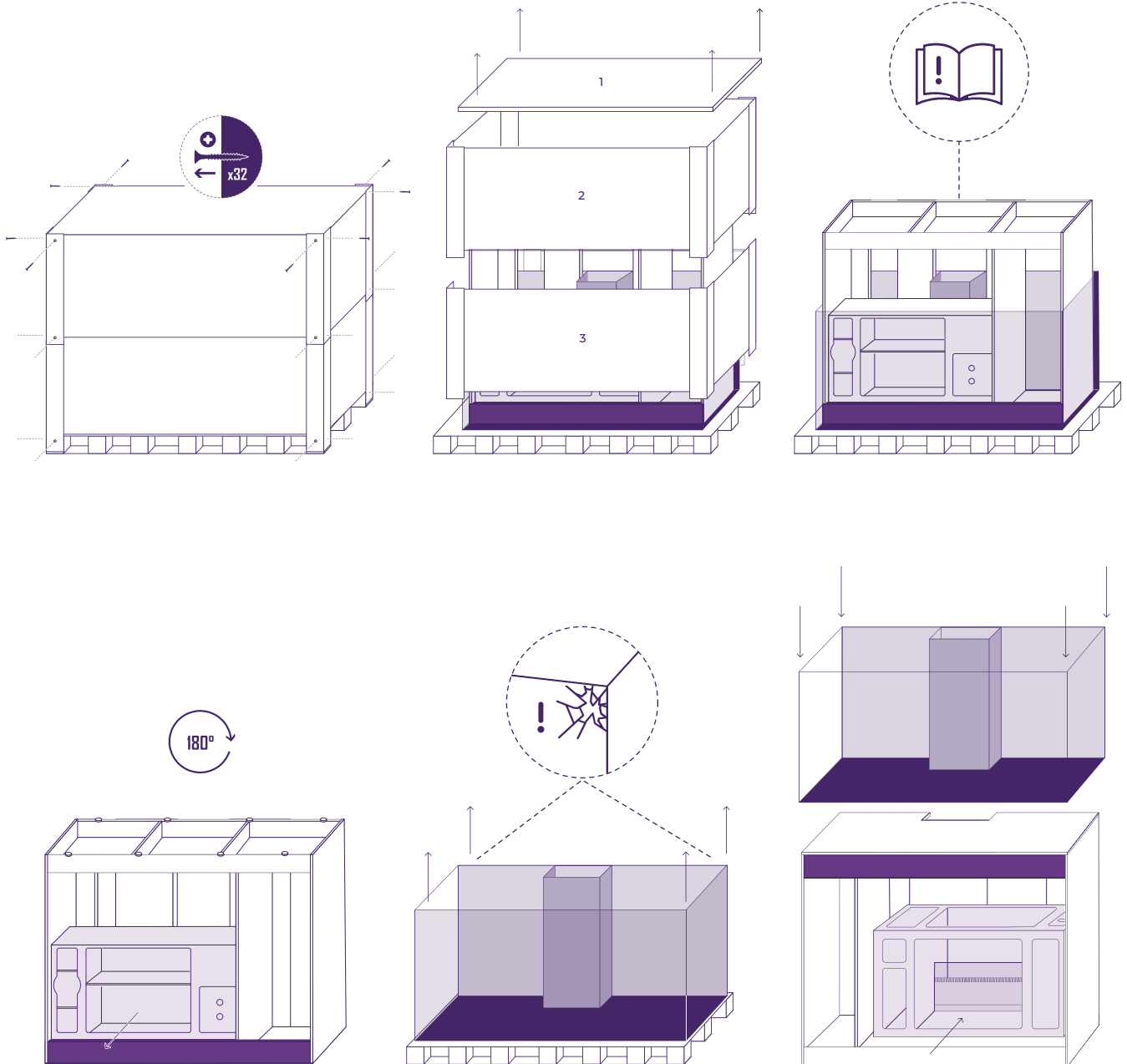
**x6**



**max  
45 min**



**ROZPAKOWANIE**



## LOKALIZACJA ZBIORNIKA

Przed przystąpieniem do montażu akwarium należy wybrać dla niego odpowiednie miejsce.

- W pobliżu zbiornika powinno znajdować się gniazdko elektryczne, które umożliwi podłączenie wymaganego w zbiornikach morskich sprzętu. Zaleca się odległość nie mniejszą niż 20 cm od bocznej krawędzi szafki i akwarium. Gniazdko elektryczne powinno posiadać odpowiedni stopień ochrony IP66 i być zainstalowane przez uprawnionego monter. Właściwe parametry gniazda elektrycznego należy porównać z danymi wymaganymi przez dostawców sprzętu akwarystycznego. Instalacja elektryczna oraz rozdzielnia prądu powinny być wyposażone w bezpiecznik dostosowany do mocy użytego osprzętu akwarystycznego.
- Podłoga bezpośrednio pod zbiornikiem powinna być stabilna, równa i dostosowana do wysokiego obciążenia. Posadzka powinna być betonowa, w przypadku umieszczenia zbiornika na piętrze należy zapoznać się z nośnością stropu. W przypadku wszystkich AF OceanGuard wymagana nośność to 7,5kN/m<sup>2</sup>. Posadzka musi być wypoziomowana, dopuszczalne odchylenia to maksymalnie 3 mm na 1 mb posadzki. Nie zalecamy montażu na podłogach pokrytych wykładzinami dywanowymi, panelami lub nieprzytwierdzonym parkietem. Tylko stabilne podłoże daje gwarancję długiego użytkowania zestawu akwariowego Aquaforest.
- Sól, również ta obecna w zbiornikach morskich, znacznie przyspiesza korozję, dlatego należy się upewnić, że w sąsiedztwie akwarium nie znajdują się rzeczy i sprzęty, które mogłyby ulec zniszczeniu/uszkodzeniu.
- Odległość zbiornika od ściany powinna wynosić co najmniej 5 cm. Należy upewnić się, że wolna przestrzeń po bokach zbiornika umożliwi swobodną konserwację sprzętu i czyszczenie szyb.
- Nie powinno się stawiać akwarium w niewielkiej odległości od okna, zwłaszcza od południowej strony, duża ilość naturalnego światła słonecznego może być powodem powstawania glonów. Zbyt bliskie sąsiedztwo okna może być również powodem nadmiernego nagrzewania się wody.
- Nie zaleca się montażu bezpośrednio przy oknie, przy drzwiach oraz ciągach komunikacyjnych. Zapewni to bezpieczeństwo i spokój zwierzętom zamieszkałym w akwarium.
- Ze względu na parowanie wody w pomieszczeniu z akwarium należy zadbać o odpowiednią wentylację.

## MONTAŻ SZAFKI I UŻYTKOWANIE:

Żeby zadbać o Twoją wygodę i bezpieczeństwo zestaw AF OceanGuard dostarczyliśmy do Ciebie ze zmontowaną częścią nośną szafki. Co to dla Ciebie oznacza? Oszczędność czasu i gwarancję pełni bezpieczeństwa. Dzięki temu nie potrzebujesz specjalistycznych narzędzi oraz zyskujesz pewność poprawnego montażu. Część nośna wykonana została w całości ze sklejki jachtowej, dlatego jest odporna nawet na najtrudniejsze warunki atmosferyczne.

1. Szafki dostarczane są w postaci dwóch osobnych zestawów: części nośnej – skręcanej i skleionej oraz wodoodpornych paneli zewnętrznych wraz z drzwiami.
2. Po ustawieniu szafki we właściwym miejscu należy wyregulować jej stabilność za pomocą nóżek regulowanych. Szafka powinna być wypoziomowana przy pomocy poziomicy. Następnie należy zamocować panele boczne.
3. Ze względu na zastosowanie najwyższej jakości samoutwardzalnych materiałów, nie zalecamy myć szafki przez 72 godziny po zdjęciu folii ochronnej. Pozwoli to na dokładne utwardzenie się powłoki akrylowej.
4. Szafkę należy utrzymywać w czystości, wszelkie zamoczenia lub zalania należy natychmiast usunąć i wysuszyć.

Aquaforest®  
**OCEANGUARD 790**



**FRAGILE**



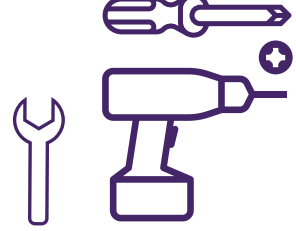
**HEAVY**



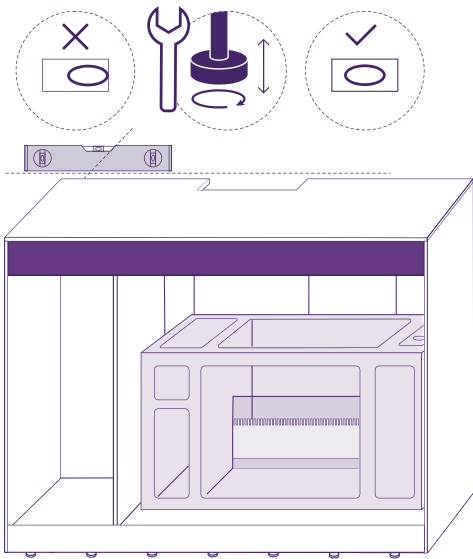
**x6**



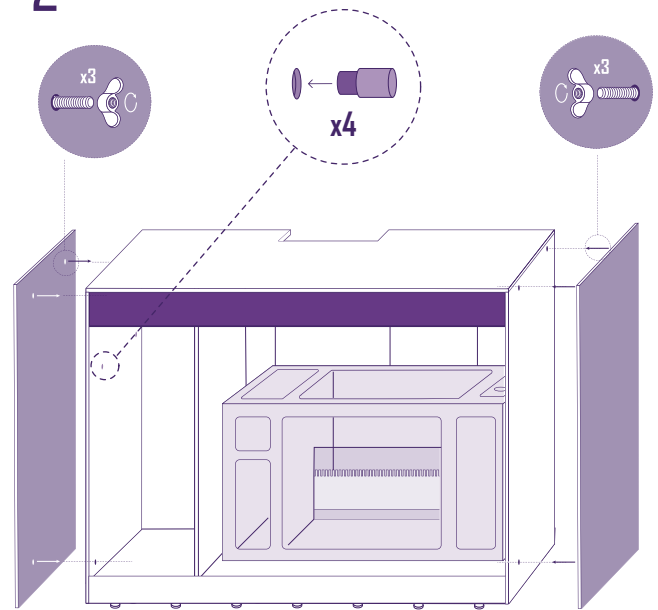
**max  
1,5 h**



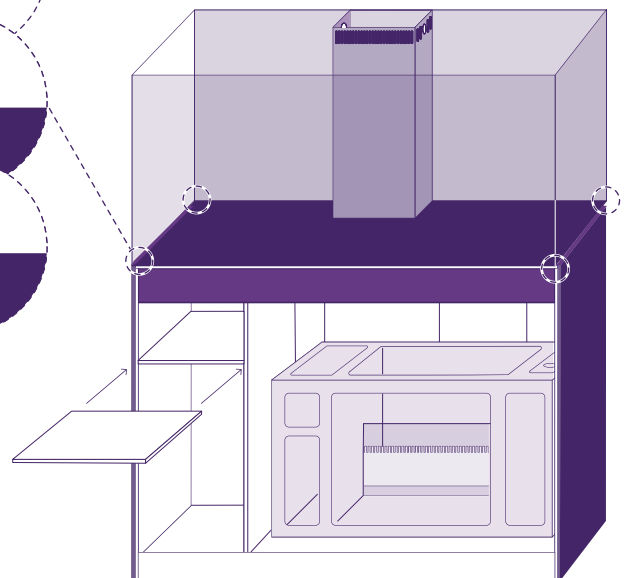
**1** POZIOMOWANIE SZAFKI I UŁOŻENIE AKWARIUM



**2**



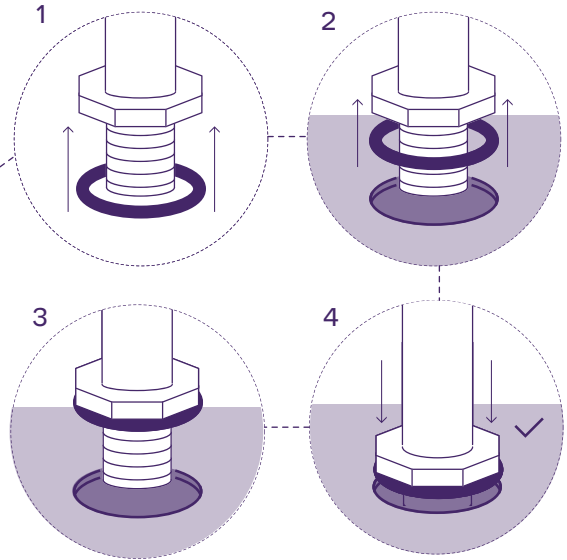
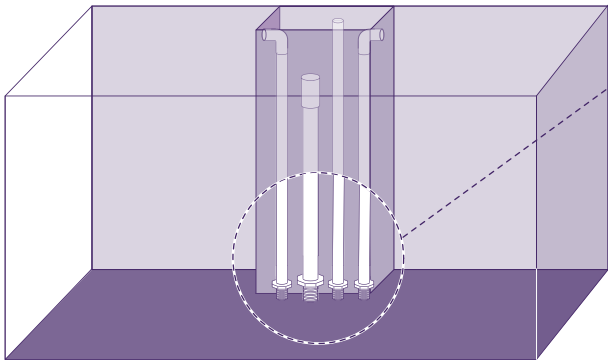
**3**



4

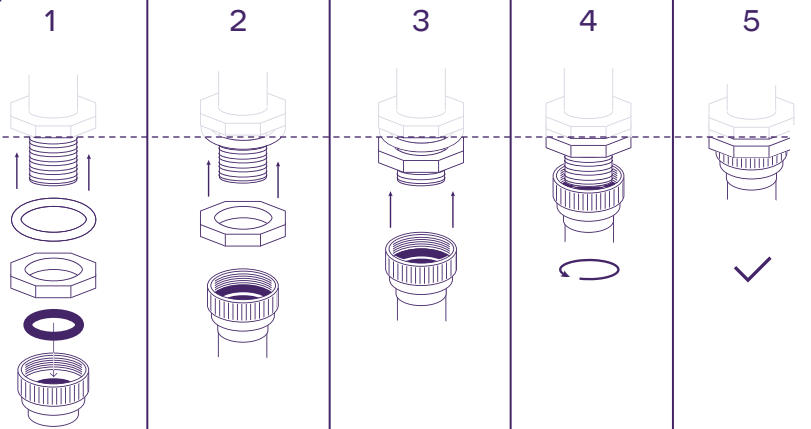
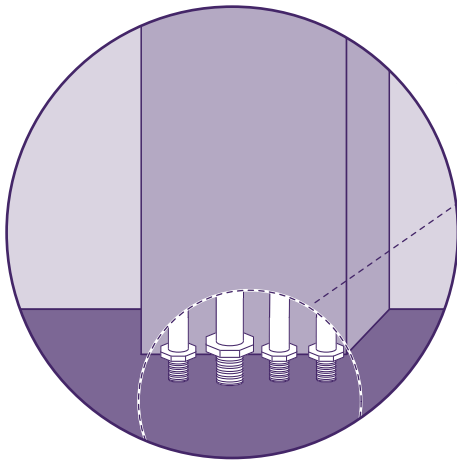
MONTAŻ HYDRAULIKI W KOMINIE

x4



5

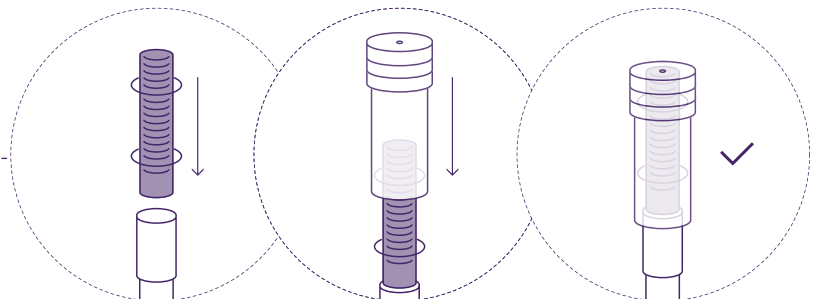
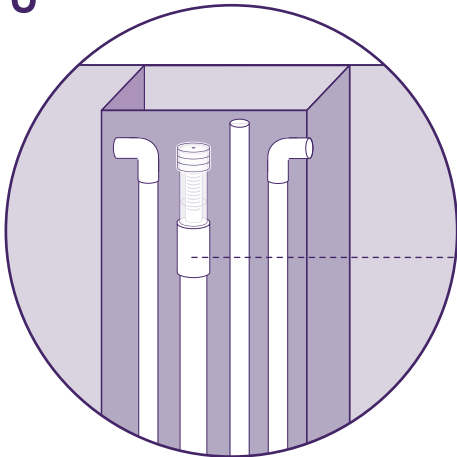
x4



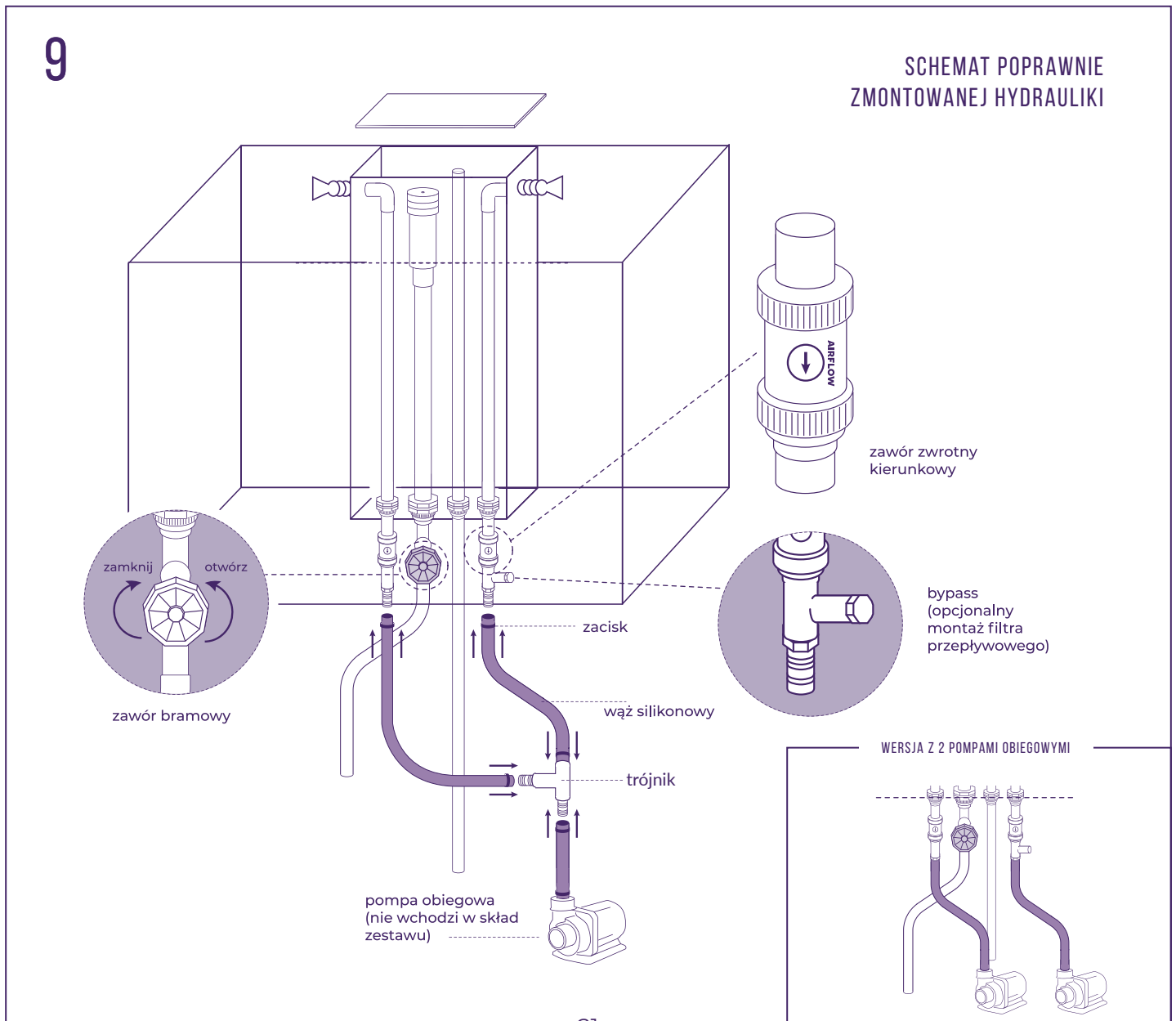
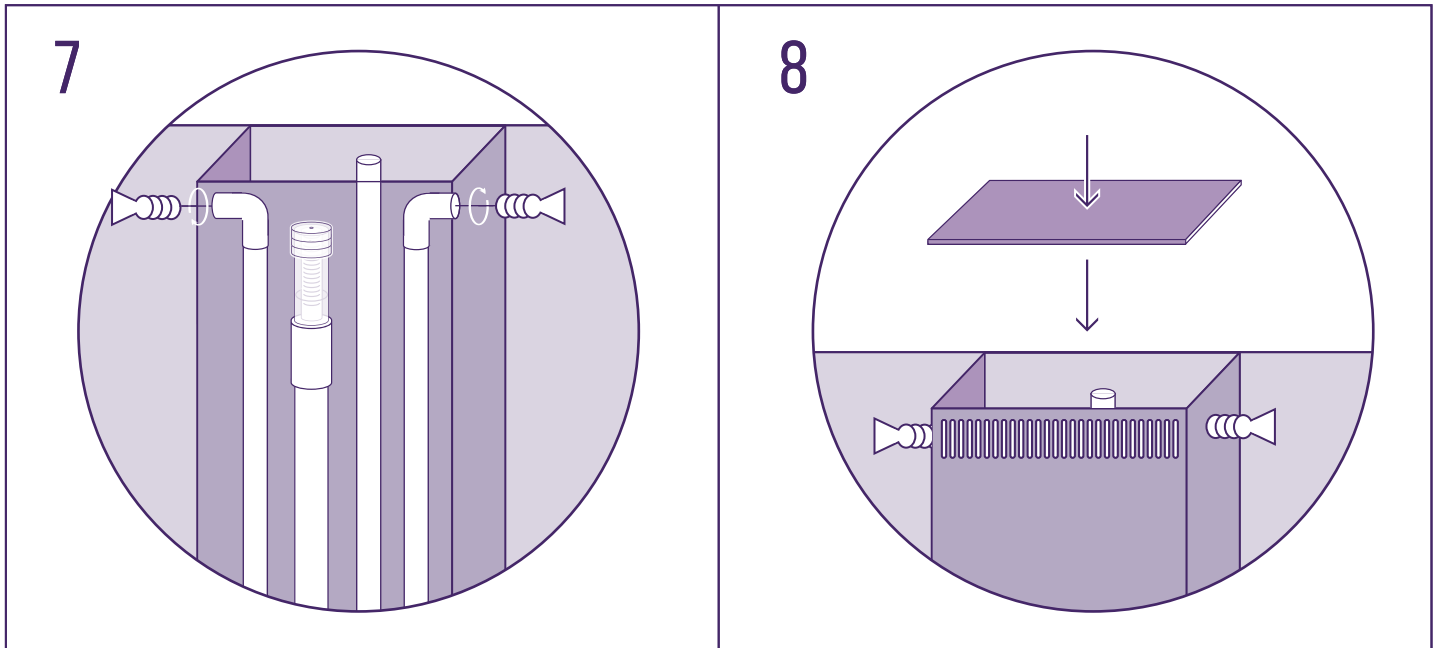
PL

6

MONTAŻ TŁUMIKA

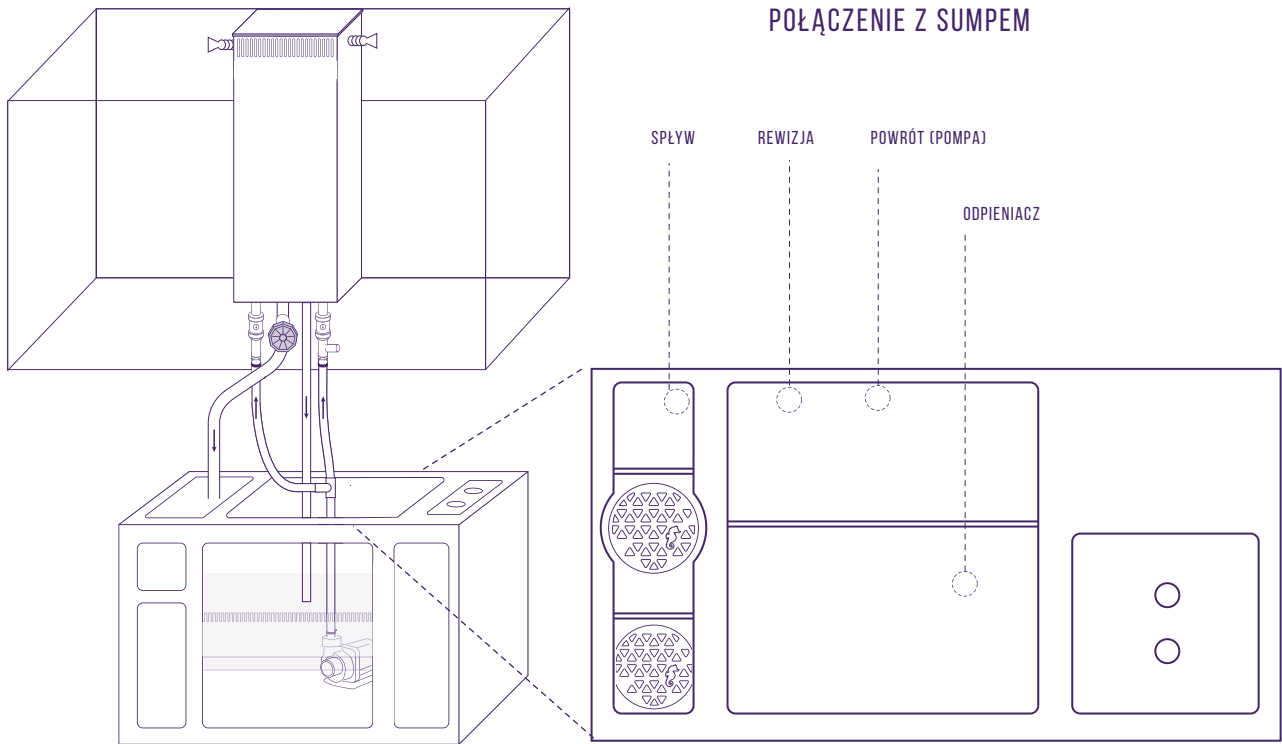


Aquaforest®  
**OCEANGUARD 790**



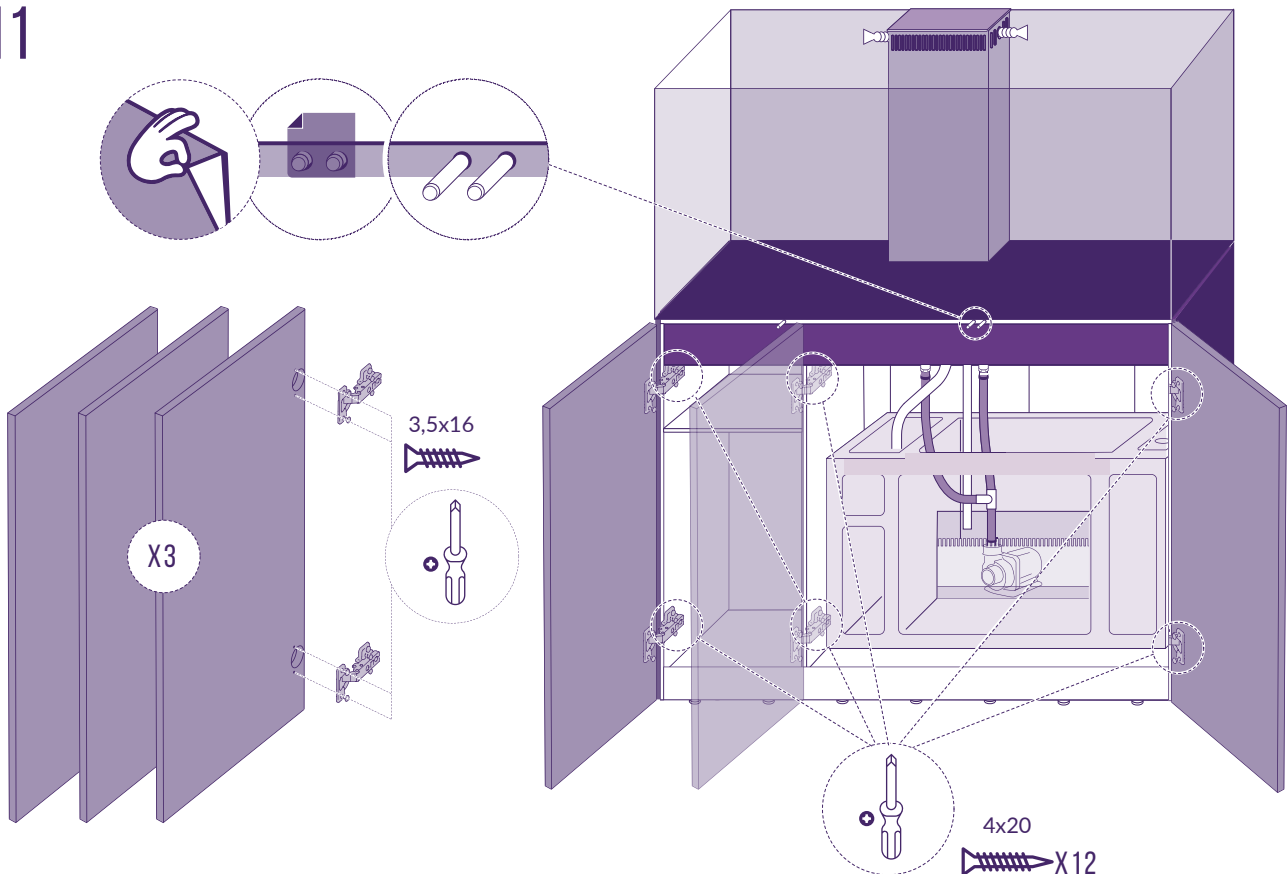


10



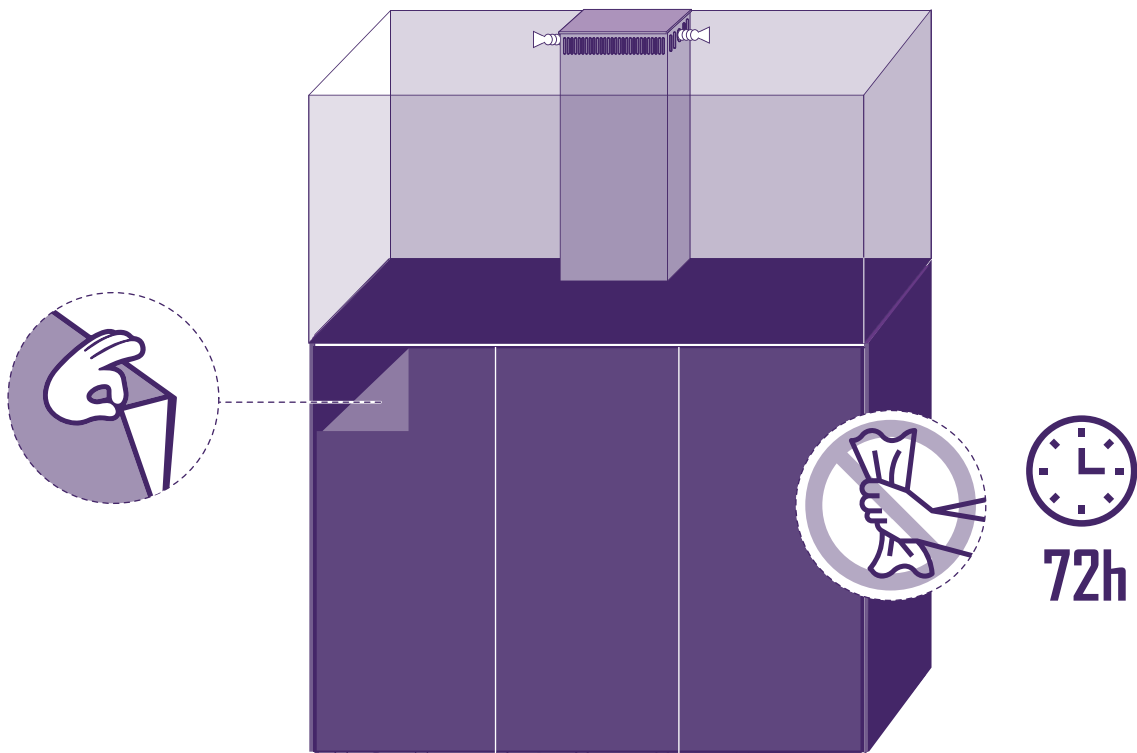
PL

11



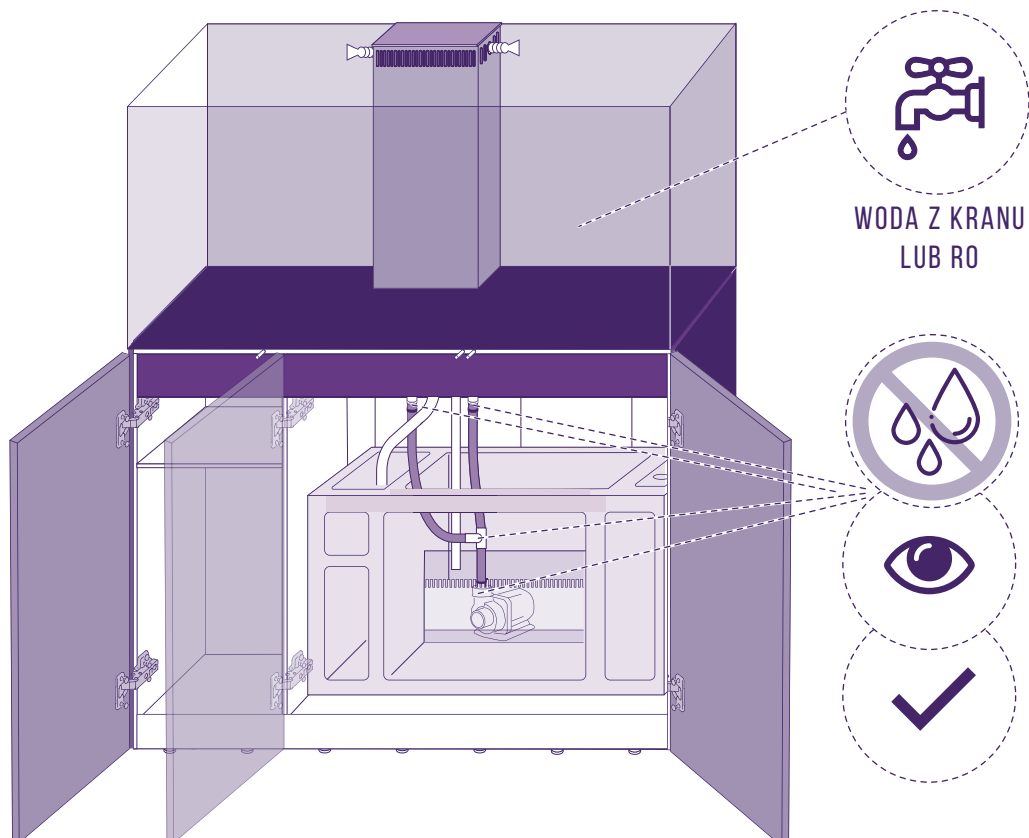
12

ZDEJMIJ FOLIE OCHRONNE



13

TEST SZCZELNOŚCI POŁĄCZEŃ



## PIERWSZE NAPEŁNIENIE ZBIORNIKA

Po zakończonym montażu zestawu należy upewnić się, że wszystkie elementy zostały zainstalowane zgodnie z instrukcją. Przed przystąpieniem do napełniania zbiornika wodą morską sprawdzić, czy wszystkie śrubunki i zawory są dokładnie dokręcone. W tym celu można napełnić zbiornik wodą z kranu (lub RO) postępując zgodnie z instrukcją poniżej. Napełnienie zbiornika wodą słodką przed docelowym zalaniem jest opcjonalne, pozwoli jednak na wyptukanie wszystkich elementów hydrauliki i akwarium.

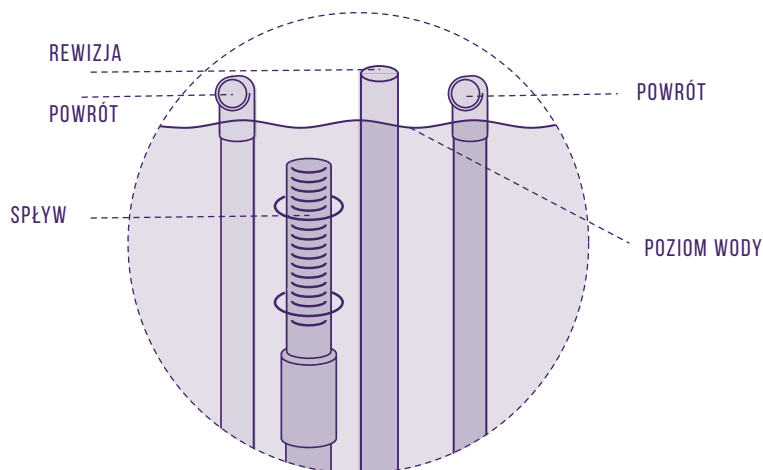
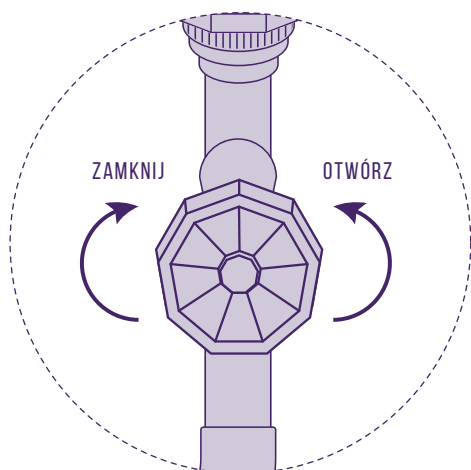
Żeby ułatwić późniejszą regulację poziomu wody, przed napełnieniem komina wodą należy maksymalnie otworzyć zawór spływu. Jeżeli wszystkie elementy są zamontowane poprawnie, można przystąpić do napełniania zbiornika wodą stopniowo wlewając ją do komina akwarium. Jednocześnie kontrolować stan hydrauliki upewniając się, że wszystkie elementy instalacji pozbawione są nieszczelności, a z łączy nie cieknie woda. Ewentualne nieszczelności należy wyeliminować poprzez poprawne dokręcenie śrubunków. Po napełnieniu sumpu uruchomić pompę obiegową i kontynuować napełnianie akwarium wodą.

Jeśli nie ma oznak żadnych nieszczelności, można opróżnić zbiornik z wody słodkiej i przystąpić do docelowego zalania akwarium solanką. W tym celu należy wlewać do akwarium wodę morską do momentu, aż zacznie ona przelewać się kolejno do komina i sumpu. Sump powinien być napełniony do poziomu 18-20 cm. Po napełnieniu sumpu uruchomić pompę obiegową i jeżeli zachodzi taka konieczność – skorygować ewentualne braki wody.

## REGULACJA ZAWORU SPŁYWU

Po napełnieniu sumpu uruchomić pompę obiegową i kontynuować napełnianie akwarium wodą. Kiedy woda w zbiorniku osiągnie pożądany poziom, można przystąpić do regulacji zaworu bramowego kontrolującego spływ wody z akwarium. Podczas regulacji zaworu wszystkie elementy znajdujące się w kominie powinny być zamontowane, a tłumik nałożony na rurę spływu. Zawór należy zakręcić do momentu, w którym woda spływa swobodnie, bez zbędnego hałasu i bąbelków powietrza. Zawór został odpowiednio wyregulowany, jeżeli spływ jest cichy, a woda nie przelewa się przez rurę awaryjną (rewizję). Zbyt wysoki poziom wody będzie powodował przelewanie się wody przez rewizję oraz spienianie wody w komorze pompy obiegowej; zbyt niski poziom wody w kominie spowoduje hałaśliwe zasysanie powietrza. Optymalnie lustro wody powinno znajdować się w połowie różnicy wysokości pomiędzy rurą spływu a rurą awaryjną.

PL



## KONSERWACJA

Ze względu na zastosowanie najwyższej jakości wodoodpornych i nierdzewnych materiałów AF OceanGuard nie wymagają szczególnej konserwacji. Ze względu na rozwój organizmów morskich, raz na ok. trzy miesiące należy wyczyścić sitko spływu oraz zawór zwrotny. Zapobiegnie to niekontrolowanym zmianom poziomu wody w kominie akwarium. Do mycia elementów zestawu nie należy stosować alkoholu ani innych agresywnych substancji. Szkło należy czyścić za pomocą specjalnych czyszczyków akwarystycznych.



### UWAGA!

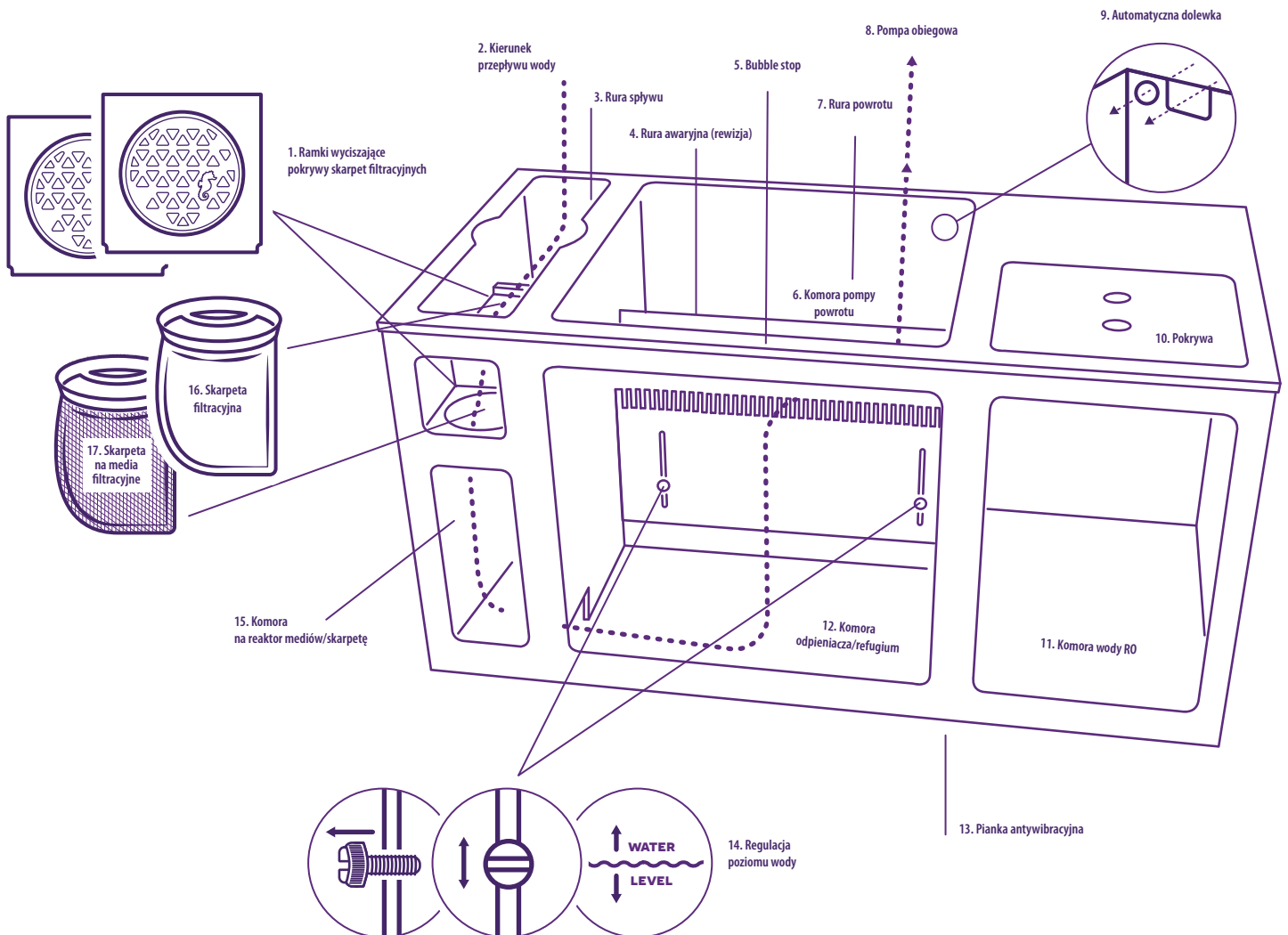
**Nie stosować płynu do mycia szyb ani innych płynów, które ze względu na swój skład mogą zaszkodzić organizmom morskim.**

## SUMP

Wysokowytrzymałe sumpy z PVC zostały stworzone z myślą o wszystkich, nawet najbardziej wymagających akwariach morskich. Ten zaprojektowany przez doświadczonych akwarystów sprzęt zapewnia najwydajniejszą filtrację dla zdrowego rozwoju organizmów morskich. Komory kaskadowe i grzebienie tłumiące hałas zapewniają idealne warunki do dynamicznego, ultracichego przepływu wody. Zastosowanie zapobiegającej drganiom pianki pozwoliło na maksymalne wyciszenie i wykluczenie rezonowania.

Sumpy Aquaforest to połączenie minimalistycznego designu i wygody użytkownika. Komora skarpet filtracyjnych pozwala na umieszczenie dwóch skarpet (w zestawie) z nasadkami tłumiącymi hałas wody lub zastąpienie ich reaktorami mediów filtracyjnych. Sumpy Aquaforest są wypadkową doświadczenia i współpracy wykwalifikowanych projektantów i inżynierów z najlepszymi akwarystami. Ten inteligentnie zaprojektowany system komór i grzebieni został dokładnie przetestowany, tak, aby zagwarantować maksymalny potencjał filtracyjny.

Wiemy, że wydajny system filtracji jest kluczem do sukcesu akwarium morskiego, dlatego każdy szczegół został przez nas starannie dopracowany. Najwyższa jakość towarzyszy nam na każdym etapie, dlatego zadaliśmy o to, żeby kompozycja grzebieni i komór zapewniała optymalny poziom hałasu poprzez wyciszenie niepożądanych dźwięków. Precyzyjne spawanie elementów to gwarancja szczelności. W procesie kontroli jakości każdy z sumpów jest zalewany wodą, a jego szczelność dokładnie sprawdzana. Duża komora na wodę RO pozwala na łatwą instalację automatycznej dolewki i pozwala na rzadsze uzupełnianie wody. To niezawodne rozwiązanie dla każdego akwarium i wynik połączenia doświadczenia akwarystycznego, zaawansowanej technologii i wykonania z dbałością o każdy szczegół.



**! NIE CZYŚCIĆ ALKOHOLEM**

**DO NOT CLEAN WITH ALCOHOL**

**NICHT MIT ALKOHOL REINIGEN**

---

**PRZED UŻYCIEM WYPŁUKAĆ W CZYSTEJ WODZIE**

**BEFORE USE RINSE IN A CLEAN WATER**

**VOR GEBRAUCH MIT SAUBEREM WASSER SPÜLLEN**

## GWARANCJA

AF OceanGuard są objęte 36-miesięczną gwarancją liczoną od dnia zakupu. Dodatkowe 12 miesięcy gwarancji przysługuje klientom, którzy w ciągu 30 dni od daty zakupu zarejestrują swój zestaw AF OceanGuard za pośrednictwem formularza: [www.afoceanguard.com](http://www.afoceanguard.com). Gwarancja Aquaforest obejmuje wyłącznie wady powstałe z przyczyn tkwiących w sprzedanym produkcie. W ramach umowy gwarancyjnej Aquaforest naprawi lub wymieni wadliwe części. Warunkiem naprawy lub wymiany jest dołączenie dowodu zakupu. Naprawy gwarancyjne powinny odbywać się tylko za pośrednictwem sieci sprzedaży Aquaforest, bezpośrednio w salonie sprzedaży, w którym został zakupiony produkt.

## WARUNKI GWARANCJI

1. Gwarant zapewnia kupującemu wysoką jakość i prawidłowe funkcjonowanie zestawu akwariowego pod warunkiem właściwego zamontowania oraz użytkowania go zgodnie z przeznaczeniem.
2. W razie wystąpienia wady, gwarant zobowiązuje się usunięcia usterki lub wymiany, według wymienionych poniżej zasad.
3. Gwarancja obejmuje wszystkie wyroby sprzedane przez autoryzowanego sprzedawcę marki Aquaforest. Z gwarancji wyłączone są produkty zakupione na rynku wtórnym.
4. Gwarant zapewnia należyłą jakość swoich wyrobów przy zachowaniu wszystkich zasad ich użytkowania zgodnie z przeznaczeniem w okresie 3 lat od daty zakupu potwierdzonym paragonem lub fakturą.
5. Wady lub uszkodzenia powstałe podczas transportu należy zgłaszać w dniu dostarczenia najlepiej przy kurierze lub sprzedawcy. Gwarancją nie są objęte uszkodzenia mechaniczne wynikłe w wyniku nieprawidłowego transportowania bądź zabezpieczenia przesyłki.
6. Podstawą rozpatrzenia reklamacji przez Gwaranta jest przedłożenie przez kupującego prawidłowo wypełnionej karty gwarancyjnej oraz dowodu zakupu.
7. Reklamację na wady objęte gwarancją Kupujący składa w formie pisemnej lub mailowej Sprzedawcy lub Producentowi w terminie nie dłuższym niż 7 dni od daty ujawnienia wady.
8. Rozpatrzenie reklamacji nastąpi w terminie do 14 dni roboczych od daty zgłoszenia reklamacji Gwarantowi na piśmie lub drogą mailową.
9. Zwłoka w rozpatrzeniu reklamacji nie zachodzi, gdy przedstawiciel Gwaranta zgłosił się do Kupującego w uzgodnionym terminie i nie mógł dokonać czynności reklamacyjnych z przyczyn leżących po stronie Kupującego.
10. O przyjęciu reklamacji do realizacji w drodze naprawy lub też o uznaniu reklamacji za nieuzasadnioną Kupujący zostanie powiadomiony przez Gwaranta niezwłocznie po zakończeniu oględzin poprzez sporządzenie odpowiedniego protokołu rozpatrzenia reklamacji i przekazanie go do wiedzy Kupującego. We wszystkich pozostałych przypadkach w drodze pisemnej lub mailowej w terminie 14 dni roboczych od daty zgłoszenia reklamacji do Gwaranta.
11. Sposobem realizacji w przypadku, gdy wada stwierdzona podczas rozpatrzenia jest:
  - usuwalna w warunkach niefabrycznych - reklamacja zostanie usunięta u Klienta.
  - usuwalna tylko w warunkach fabrycznych - reklamacja zostanie usunięta u Producenta. Producent może także wymienić uszkodzony element na nowy w drodze ustaleń z Klientem.
  - nieusuwalna – reklamacja zostanie rozpatrzona poprzez wymianę na nowy produkt wolny od wad.
12. O wyborze sposobu rozpatrzenia reklamacji Klient zostanie poinformowany przez Gwaranta w ciągu 14 dni od dnia uznania reklamacji.
13. Jeżeli Kupujący uniemożliwił dokonanie naprawy wad usuwalnych, uważa się, że zrezygnował z uprawnień wynikających z karty gwarancyjnej.
14. Gwarancja na sprzedany towar nie wyklucza, nie ogranicza ani też nie zawiesza uprawnień Kupującego wynikających z niezgodności towaru z umową, szczegółowo uregulowanych w ustawie z 27.07.2002r. o szczególnych warunkach sprzedaży konsumenckiej oraz zmianie Kodeksu cywilnego (Dz.U. Nr 141 poz. 1176 ze z.) (PL)

## **GWARANCJA NIE OBEJMUJE:**

- zabrudzeń, efektu niewłaściwych prób czyszczenia, jak również szkód spowodowanych przez zwierzęta domowe i uszkodzenia powstałe w wyniku niewłaściwego użytkowania
- zmian konstrukcyjnych, przeróbek lub stosowania nieoryginalnych części przez klienta
- uszkodzeń powstałych w wyniku niewłaściwego bądź nieostrożnego przewozu, przenoszenia, montażu oraz użytkowania
- produktów zakupionych w obniżonej cenie jako produkty powystawowe lub uszkodzone
- braków ilościowych elementów zgłoszonych później niż dwa dni od daty dostarczenia produktu
- rys spowodowanych użytkowaniem zarówno szkła, jak i elementów mebli
- uszkodzeń szkła spowodowanych uderzeniem zarówno od wewnątrz jak i od zewnątrz akwarium
- rozszczelnienia ponownie zalanego zbiornika po okresie dłuższym niż 30 dni bez wody

Gwarancją nie są objęte wady powstałe z innych przyczyn, a szczególnie powstałe w wyniku:

- czynników zewnętrznych: uszkodzeń mechanicznych
- zamontowania i użytkowania produktu niezgodnie z przeznaczeniem
- nieprawidłowego montażu i konserwacji
- uszkodzeń powstałych w wyniku stosowania nieoryginalnych lub niezgodnych z zaleceniami akcesoriów

Gwarancja nie obejmuje normalnego zużycia produktu.

## **UTRATĄ GWARANCJI SKUTKUJĄ:**

- jakiegokolwiek modyfikacje, w tym cięcie, wiercenie i modyfikacje hydrauliki
- zastosowanie szafki innej niż dedykowana
- użytkowanie przedmiotu niezgodnie z przeznaczeniem
- niewłaściwa konserwacja

**NUMER SERYJNY, PIECZĘĆ, DATA I PODPIS SPRZEDAWCY:**



 Aquaforest®  
A Q U A R I U M S

Aquaforest is trademark of  
Aquaforest sp. z o.o. sp. k.  
ul. Starowiejska 18  
32-800 Brzesko, Poland

(+48) 14 691 79 79  
info@aquaforest.eu  
www.aquaforest.eu



VIDEO TUTORIAL